

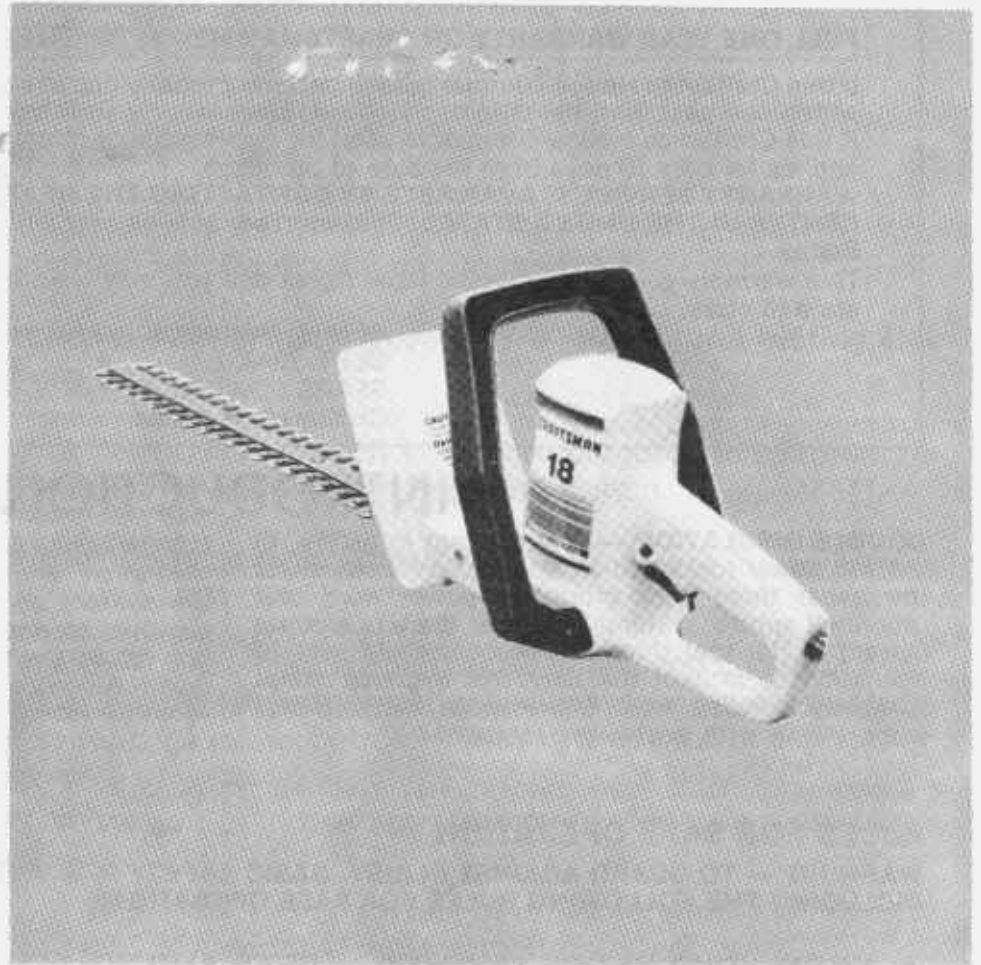
SEARS

OWNERS
MANUAL

MODEL NO.
315.796630

CAUTION:
Read Rules for
Safe Operation
and Instructions
Carefully

SAVE THIS
MANUAL FOR
FUTURE REFERENCE



CRAFTSMAN

18 INCH HEDGE TRIMMER

DOUBLE INSULATED

Introduction
Assembly
Operation
Repair Parts



Designed exclusively for and sold only by
SEARS, ROEBUCK AND CO., Dept. 731A/671, Sears Tower, Chicago, IL 60684.

FULL ONE YEAR WARRANTY ON CRAFTSMAN HEDGE TRIMMER

If this Craftsman Hedge Trimmer fails to perform properly due to a defect in material or workmanship within one year from the date of purchase, Sears will repair it free of charge.

If this Craftsman Hedge Trimmer is used for commercial or rental purposes, this warranty coverage applies for only 90 days from the date of purchase.

WARRANTY SERVICE IS AVAILABLE BY CONTACTING THE NEAREST SEARS STORE OR SERVICE CENTER IN THE UNITED STATES. This warranty applies only while product is in use in the United States.

This warranty gives you specific legal rights and you may also, have other rights which vary from state to state.

SEARS, ROEBUCK AND CO.
DEPT. 731A/671
SEARS TOWER
CHICAGO, IL 60684

INTRODUCTION

DOUBLE INSULATION — is a concept in safety, in electric power tools, which eliminates the need for the usual three wire grounded power cord and grounded supply system. Wherever there is electric current in the tool there are two complete sets of insulation to protect the user. All exposed metal parts are isolated from the internal metal motor components with protecting insulation.

IMPORTANT — Servicing of a tool with double insulation requires extreme care and knowledge of the system and should be performed only by a qualified service technician. For service we suggest you return the tool to your nearest Sears Store for repair. Always use original factory replacement parts when servicing.

RULES FOR SAFE OPERATION

WARNING — TO GUARD AGAINST INJURY, BASIC SAFETY PRECAUTIONS SHOULD BE OBSERVED, INCLUDING THE FOLLOWING RULES FOR SAFE OPERATIONS:

1. **KNOW YOUR HEDGE TRIMMER — READ AND FOLLOW ALL INSTRUCTIONS** — Read owner's manual carefully. Learn its applications and limitations as well as the specific potential hazards peculiar to this tool.
2. **DRESS PROPERLY** — Do not wear loose clothing or jewelry. They can be caught in moving parts. Use of sturdy gloves, non-skid footwear and safety glasses or eyeshields is recommended.
3. **STAY ALERT** — Watch what you are doing — use common sense. Do not operate trimmer when fatigued.
4. **DANGER — CUT HAZARD — KEEP HANDS AWAY FROM BLADES** — Keep both hands on handles when power is on. Do not attempt to remove cut material or hold material to be cut when blades are moving. Make sure your trimmer is unplugged and the switch is off when clearing jammed material from blades. Do not grasp the exposed cutting blades or cutting edges of trimmer.
5. **CAUTION** — Blades will coast after trimmer is turned off.
6. **WARNING — GUARD AGAINST ELECTRIC SHOCK HAZARD** — Don't use trimmer in rain, in wet locations, or on wet hedges or shrubbery. Use only extension cords in good condition and marked "suitable for use with outdoor appliances" having electrical rating not less than rating of trimmer. Do not use damaged extension cords. Inspect cords periodically and replace if damaged. Do not abuse cord. Never carry trimmer by cord. Do not yank cord to disconnect from receptacles. Keep cord away from heat, oil and sharp edges.

7. **WHEN OPERATING THE TRIMMER** — Keep extension cord behind trimmer. Never drape it over hedge being trimmed.
8. **KEEP CHILDREN AWAY** — Do not permit children to contact trimmer or extension cord. Keep children a safe distance from work area.
9. **USE TRIMMER PROPERLY** — Use only for trimming the type of shrub, growth, etc., described in the operating instructions. Do not abuse trimmer.
10. **DON'T OVERREACH OR STAND ON UNSTABLE SUPPORT** — Keep good footing and balance at all times. Do not use on ladder.
11. **AVOID UNINTENTIONAL STARTING OF TRIMMER** — Before plugging in trimmer, be sure trimmer switch is off. Don't carry trimmer with finger on switch.
12. **DISCONNECT (UNPLUG) TRIMMER FROM POWER SUPPLY** — When not in use, before servicing, cleaning, etc.
13. **MAINTAIN TRIMMER WITH CARE** — Keep blades sharp at all times, and clean for best and safest performance. Follow maintenance instructions. Always use a clean cloth when cleaning. Never use brake fluid, gasoline, petroleum based products, or any strong solvents to clean your tool.
14. **STORE TRIMMER INDOORS** — When not in use store trimmer indoors in a dry place where not accessible to children.
15. **DO NOT ATTEMPT TO REPAIR TRIMMER** — For service or repair return the trimmer to your nearest Sears store. See that only identical replacement parts are used.
16. **KEEP WORK AREA CLEAN** — Cluttered areas and benches invite accidents.
17. **WARNING — DO NOT USE WITHOUT FRONT HANDLE IN PLACE.** Keep both hands on handles when tool is on.
18. **TO PREVENT DISCONNECT** of extension cord during operation, make knot as shown in Fig. 8.
19. **AVOID LOCKING TRIMMER SWITCH ON** — Do not use switch lock unless necessary. Do not leave switch locked on.
20. **SAVE THESE INSTRUCTIONS.** Review them frequently for continuing safe operation and instructing possible third-party users.

EXTENSION CORDS

The use of any extension cord will cause some loss of power. To keep the loss to a minimum and to prevent tool overheating, use minimum 16 A.W.G. wire size for extension cord lengths from 25 to 100 feet. Use only extension cord suitable for outdoor use and so marked. Extension cords are available at Sears Catalog Order or Retail Stores.

WARNING: CHECK EXTENSION CORDS BEFORE EACH USE. IF DAMAGED, REPLACE IMMEDIATELY. NEVER USE TOOL WITH A DAMAGED CORD SINCE TOUCHING THE DAMAGED AREA COULD CAUSE ELECTRICAL SHOCK RESULTING IN SERIOUS INJURY.



The operation of any Hedge Trimmer can result in foreign objects being thrown into the eyes, which can result in severe eye damage. Always wear safety glasses or eye shields before commencing power tool operation. We recommend Wide Vision Safety Mask for use over spectacles or standard safety glasses, available at Sears Catalog Order or Retail Stores.

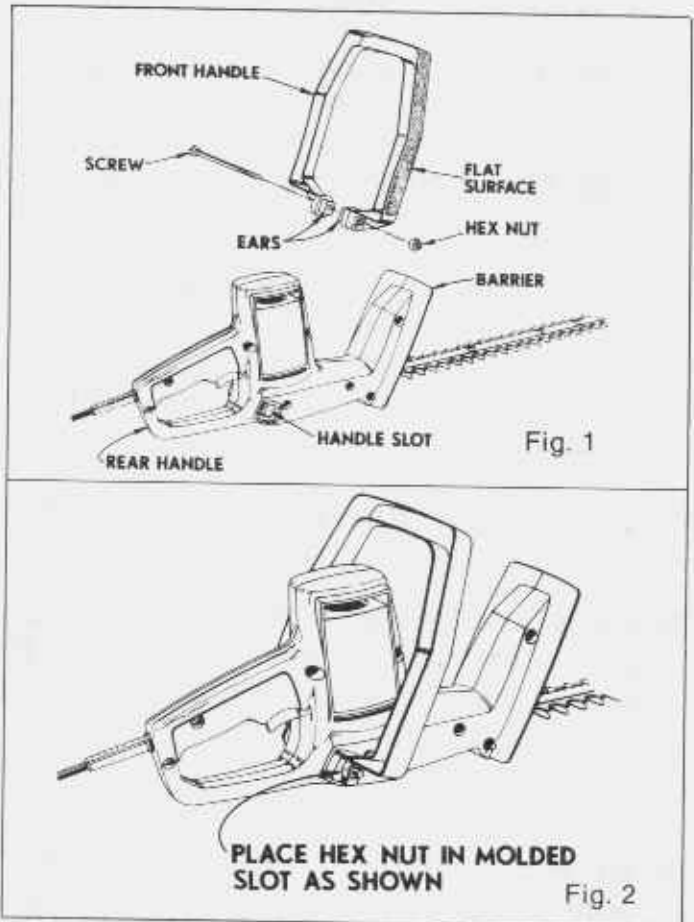
ASSEMBLY

INSTALLING FRONT HANDLE

See Figure 1.

After removing your hedge trimmer from its carton, install the front handle, screw, and hex nut as follows:

1. Turn the front handle so that the flat surface faces the barrier of your hedge trimmer, then fit the ears of the front handle into the handle slots on the motor housing. See Figure 1.
2. Holding your hedge trimmer by the rear handle, insert screw from left to right through the front handle and motor housing.
3. Thread hex nut onto end of screw, then fit into molded slot on right side of the front handle. See Figure 2.
4. Tighten screw securely with a flat screwdriver.

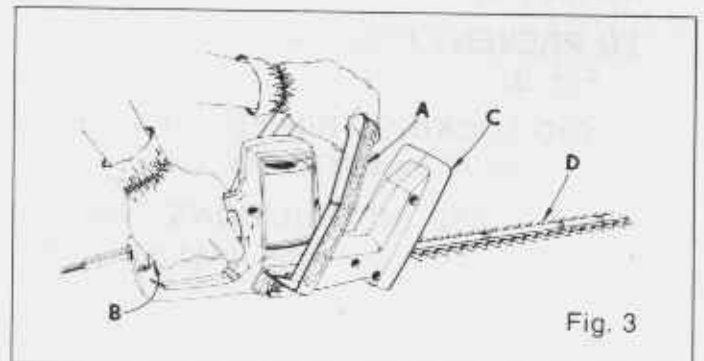


OPERATION

WARNING: YOUR HEDGE TRIMMER SHOULD NEVER BE PLUGGED IN WHILE YOU ARE ASSEMBLING PARTS OR MAKING ADJUSTMENTS. ALWAYS WEAR SAFETY GLASSES OR EYESHIELDS BEFORE BEGINNING HEDGE TRIMMING OPERATION.

See Figure 3.

For ease of operation your hedge trimmer has a front handle (A) and a rear handle (B). **WARNING: CHECK THE FRONT HANDLE BEFORE EACH USE. MAKE SURE IT IS SECURELY FASTENED TO YOUR HEDGE TRIMMER BEFORE USING.** For your protection there is a barrier (C) between the front handle and the blade (D). **DO NOT OPERATE IF BARRIER BECOMES BROKEN OR DAMAGED.** When using your hedge trimmer hold it with both hands as shown in Figure 3. **DO NOT USE BARRIER AS GRIPPING SURFACE.**



WARNING: STAY ALERT AND WATCH WHAT YOU ARE DOING. DO NOT OPERATE TRIMMER WHEN FATIGUED.

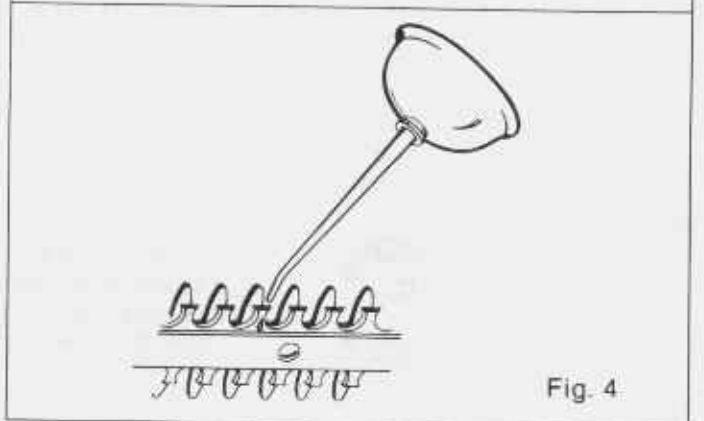
BLADE LUBRICATION

See Figure 4.

Disconnect Hedge Trimmer from power supply.

For easier operation and longer blade life lubricate the hedge trimmer blade before and after each use. Before lubricating, be sure the switch is in the "off" position and the tool is disconnected from the power supply. Apply light machine oil along the edge of the top strap as shown in Figure 4.

The trimmer should be stopped, disconnected and oiled occasionally during use.



TRIMMING A HEDGE

See Figures 5 & 6.

USE TRIMMER PROPERLY. Hold the Hedge Trimmer with both hands and with the cutter blade away from you **BEFORE** turning the switch on. **WARNING: KEEP HANDS AND FINGERS AWAY FROM MOVING PARTS. ANY PART OF BODY COMING IN CONTACT WITH MOVING PARTS COULD RESULT IN SERIOUS INJURY.** Always keep cord behind your Hedge Trimmer when in use. Do not place it over the hedge where it may be cut by the blade. **WARNING: CORD COMING IN CONTACT WITH MOVING BLADE COULD RESULT IN DAMAGED CORD. REPLACE DAMAGED CORD IMMEDIATELY. NEVER USE TOOL WITH DAMAGED CORD SINCE TOUCHING THE DAMAGED AREA COULD CAUSE ELECTRICAL SHOCK RESULTING IN SERIOUS INJURY.**

Wear gloves when trimming thorny or prickly growth. When trimming new growth, use a wide, sweeping action so that the stems are fed directly into the cutter blade. Older growth will have thicker stems and will be trimmed easiest by using a sawing movement. Do not try to cut stems that are larger than 3/8" thick or those obviously too large to feed into the cutter blade. Use a non-powered hand saw or pruning saw to cut the larger stems.

If desired, you can use a string to help cut your hedge level. Decide how high you want the hedge. Then, stretch a piece of string along the hedge at this height. Trim the hedge just above this guide line of string. See Figure 5. Trim the side of a hedge so that it will be slightly narrower at the top as shown in Figure 6. More of the hedge will be exposed when shaped this way and its growth will be more uniform.

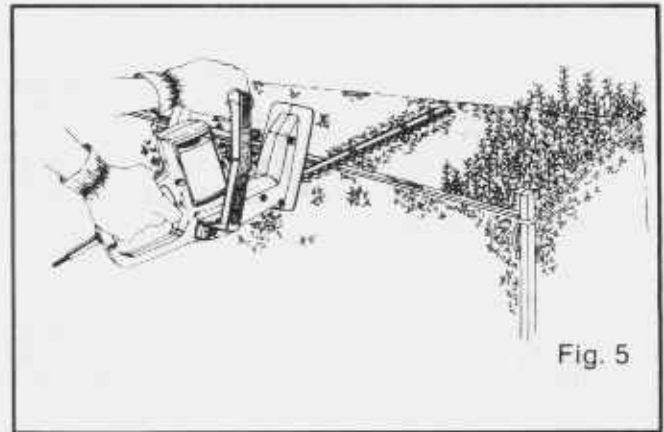


Fig. 5

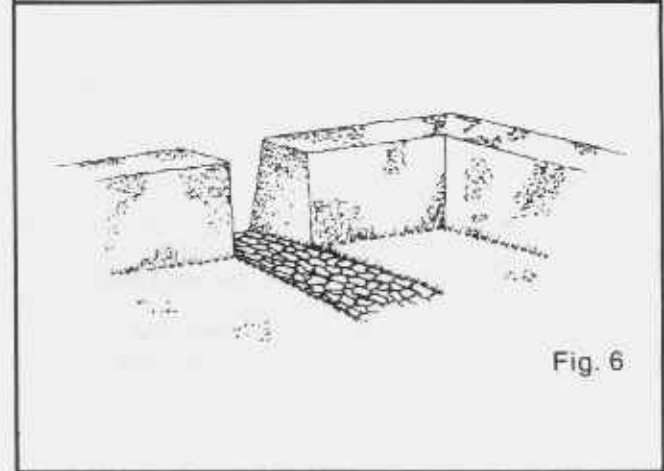


Fig. 6

SHARPENING THE CUTTER BLADE

See Figure 7.

1. Allow the Hedge Trimmer to come to a stop with the cutter blade and blade guard positioned as shown in Figure 7. This will allow clearance for the file between cutter teeth and guard teeth.
2. Disconnect the tool from power supply.
3. Clamp the blade assembly in a vise and file the exposed cutting surface of each blade tooth with an 8 inch smooth round file, 1/4" or 7/32" diameter. Be sure to retain the original angle of tooth when filing.
4. Remove the Hedge Trimmer from the vise, restart it, and stop it so that the unsharpened edges of the blade teeth are exposed.
5. Disconnect the tool and repeat the sharpening procedure as described above.

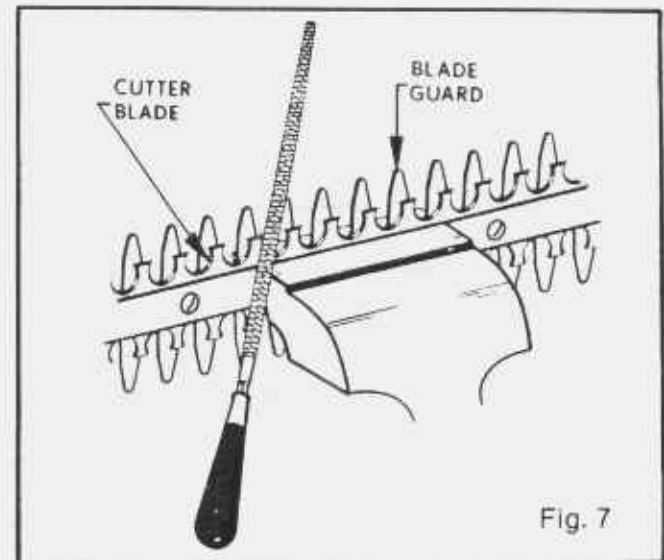
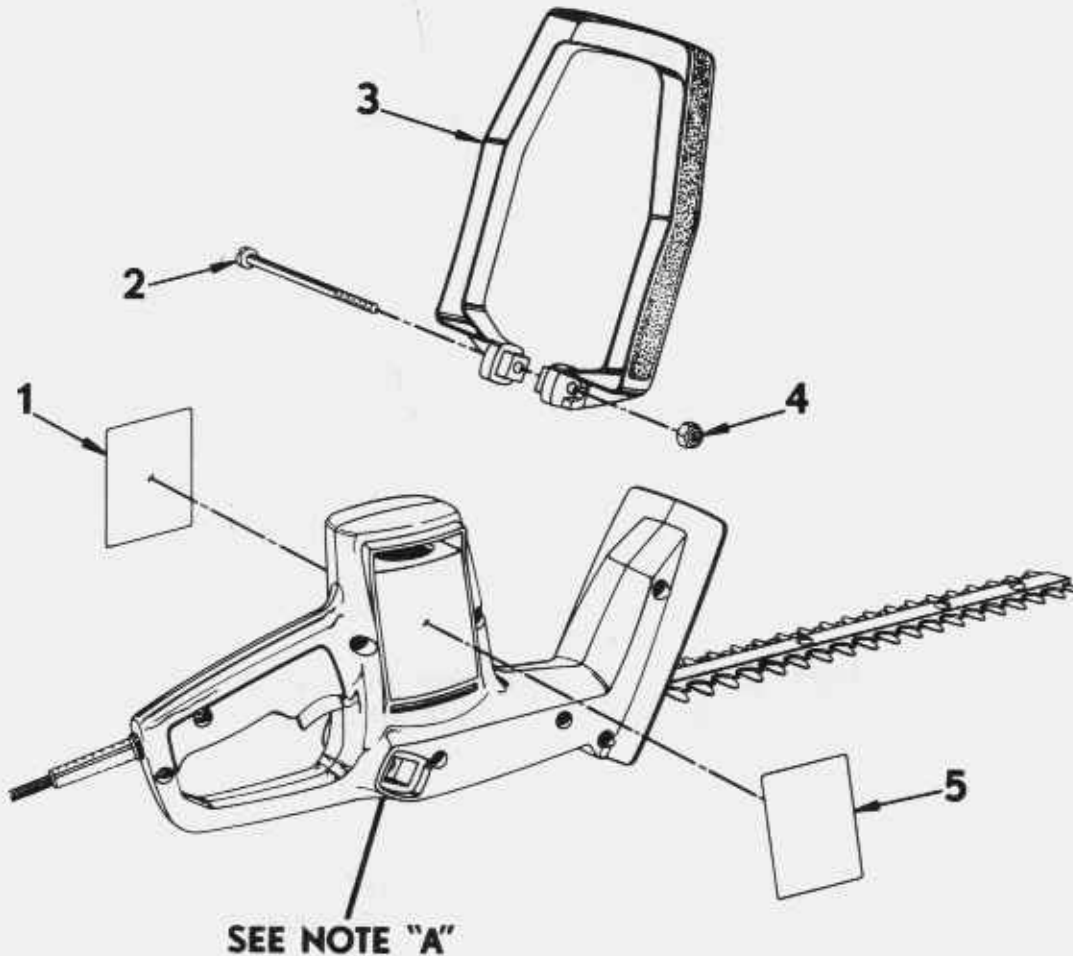


Fig. 7

CRAFTSMAN 18 INCH HEDGE TRIMMER — MODEL NUMBER 315.796630

The Model Number will be found on a plate attached to the Motor Housing. Always mention the Model Number in all correspondence regarding your **HEDGE TRIMMER** or when ordering repair parts.

SEE BACK PAGE FOR PARTS ORDERING INSTRUCTIONS



PARTS LIST

Key No.	Part Number	Description	Quan.
1	998557-003	Logo Plate.....	1
2	930517-073	Screw (1/4-20 x 4-1/4 Rd. Hd.).....	1
3	612695-001	Front Handle.....	1
4	929058-005	*Hex Nut (1/4-20) **STD541025.....	1
5	998554-001	Data Plate.....	1
	612547-342	Owners Manual (Not Illustrated)	

NOTE: "A" The assembly shown represents an important part of the Double Insulated System. To avoid the possibility of alteration or damage to the System, service should be performed by your nearest Sears Repair Center. Contact your nearest Catalog Order or Retail Store.

*Standard Hardware Item — May Be Purchased Locally
 **Available From Div. 98 — Source 980.00

SEARS

OWNERS
MANUAL

SERVICE

MODEL NO.
315.796630

HOW TO ORDER
REPAIR PARTS

CRAFTSMAN

18 INCH HEDGE TRIMMER DOUBLE INSULATED

Now that you have purchased your Hedge Trimmer, should a need ever exist for repair parts or service, simply contact any Sears Service Center and most Sears, Roebuck and Co. stores. Be sure to provide all pertinent facts when you call or visit.

The model number of your Hedge Trimmer will be found on the plate attached to the motor housing.

WHEN ORDERING REPAIR PARTS, ALWAYS GIVE THE FOLLOWING INFORMATION:

- PART NUMBER
- PART DESCRIPTION
- MODEL NUMBER
315.796630
- NAME OF ITEM
Hedge Trimmer

All parts listed may be ordered from any Sears Service Center and most Sears stores.

If the parts you need are not stocked locally, your order will be electronically transmitted to a Sears Repair Parts Distribution Center for handling.