

455 Rancher

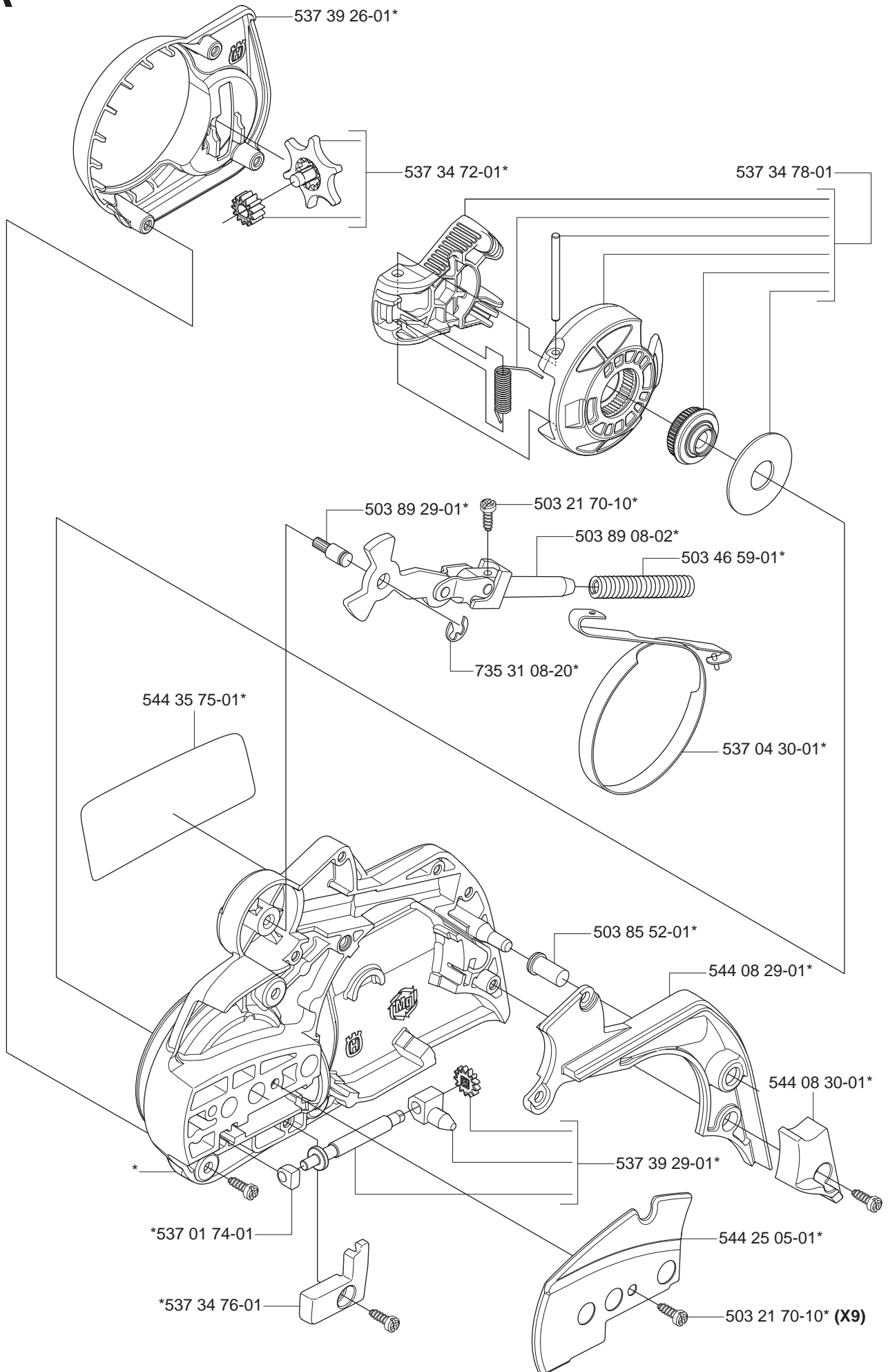
455e

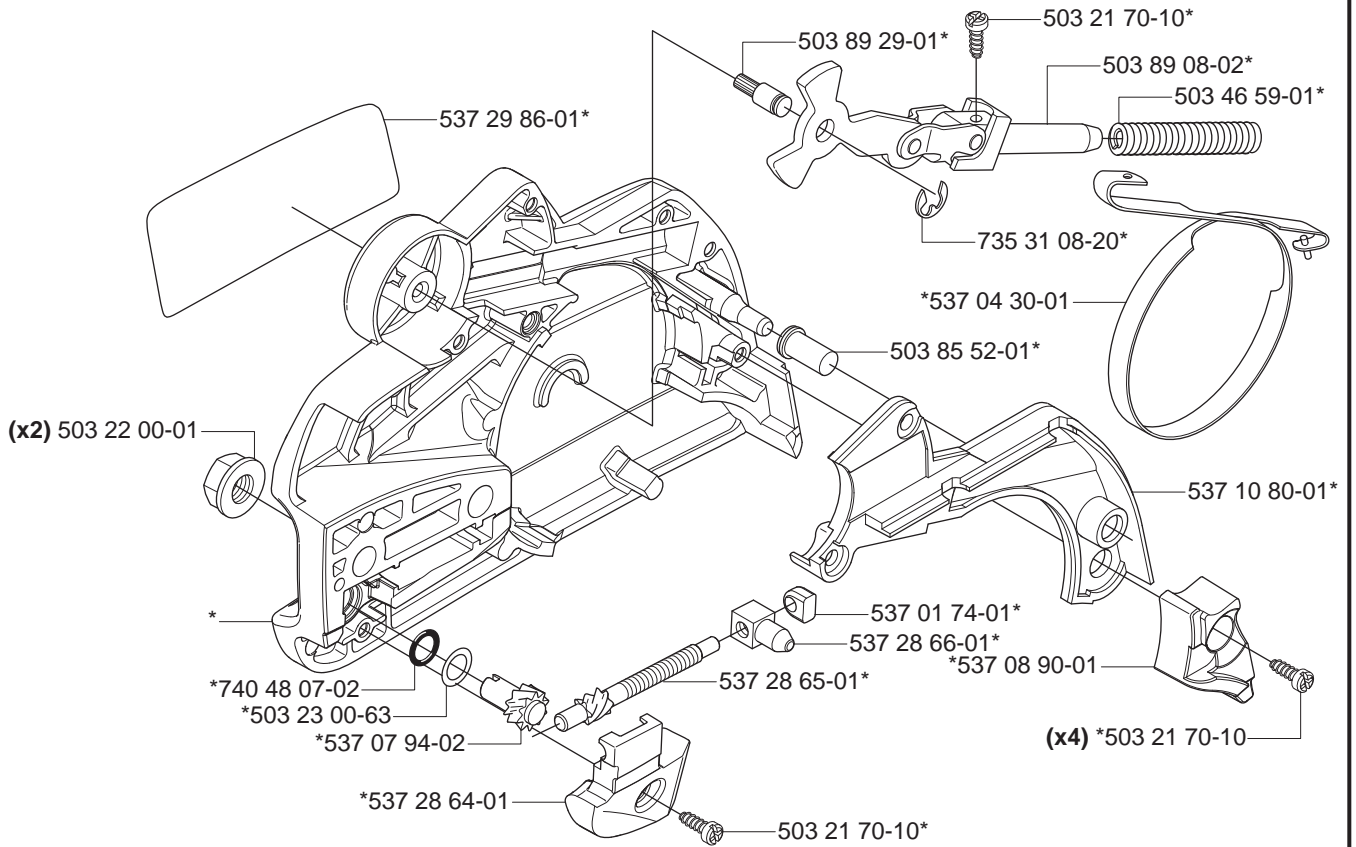
460

Spare parts
Ersatzteile
Pièces détachées
Reserve onderdelen
Repuestos
Reservdelar

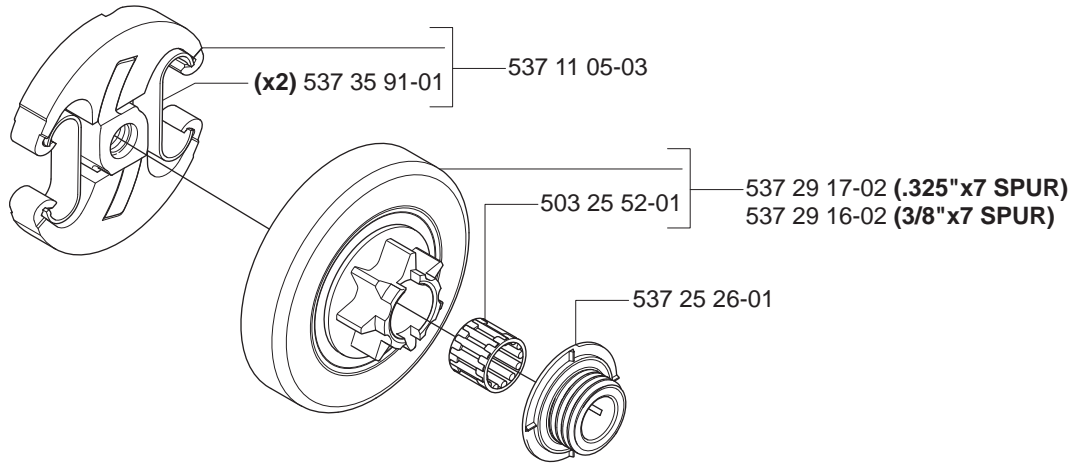
A

*compl 544 21 72-01 455e Rancher



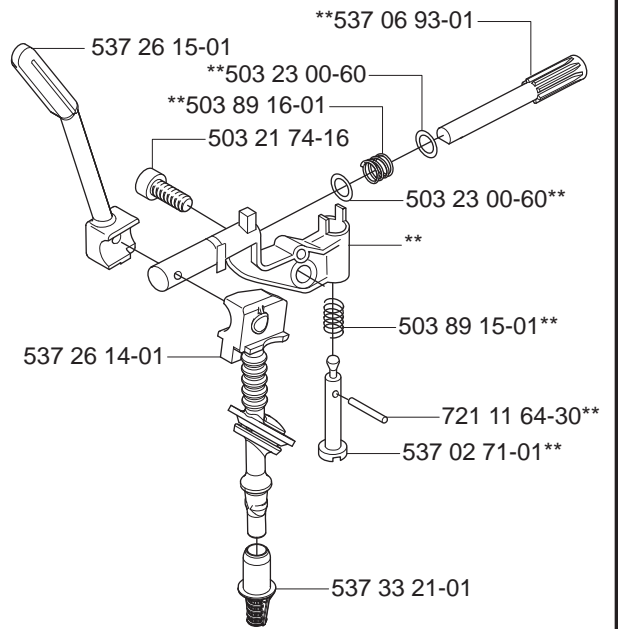
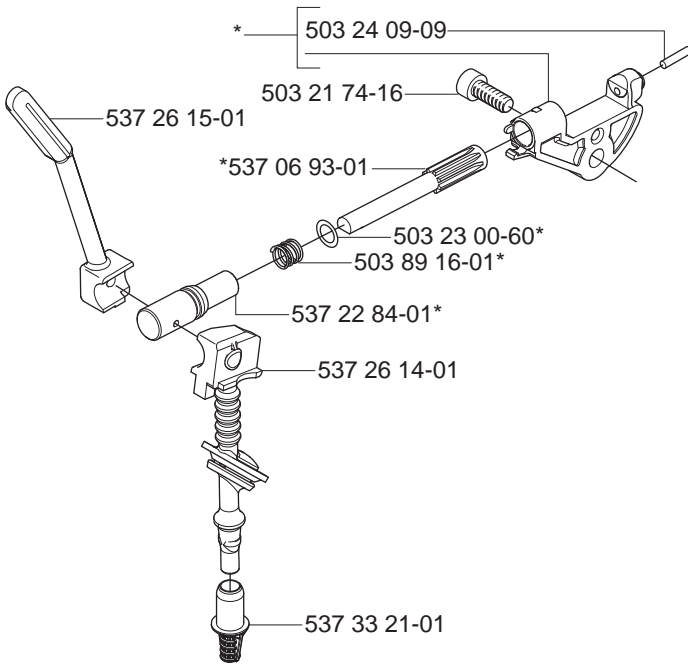
A***compl 537 28 63-01 455 Rancher, 460**

B



***compl 537 10 55-02 455 Rancher**

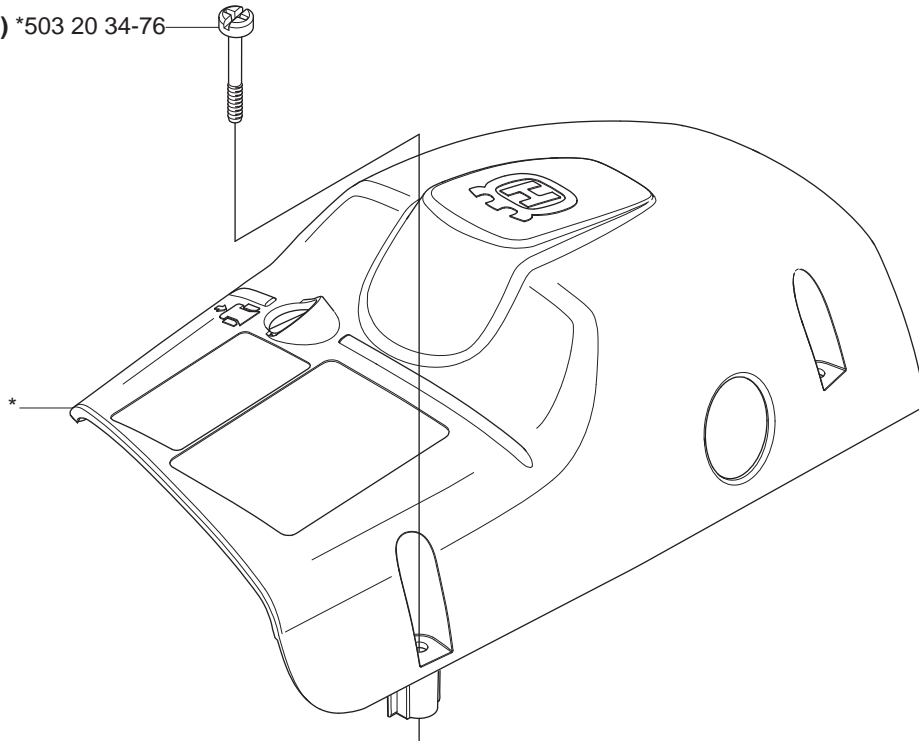
****compl 544 18 01-02 460**



C

*compl 537 30 89-01

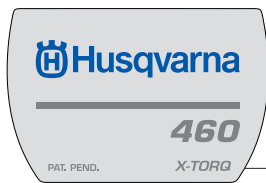
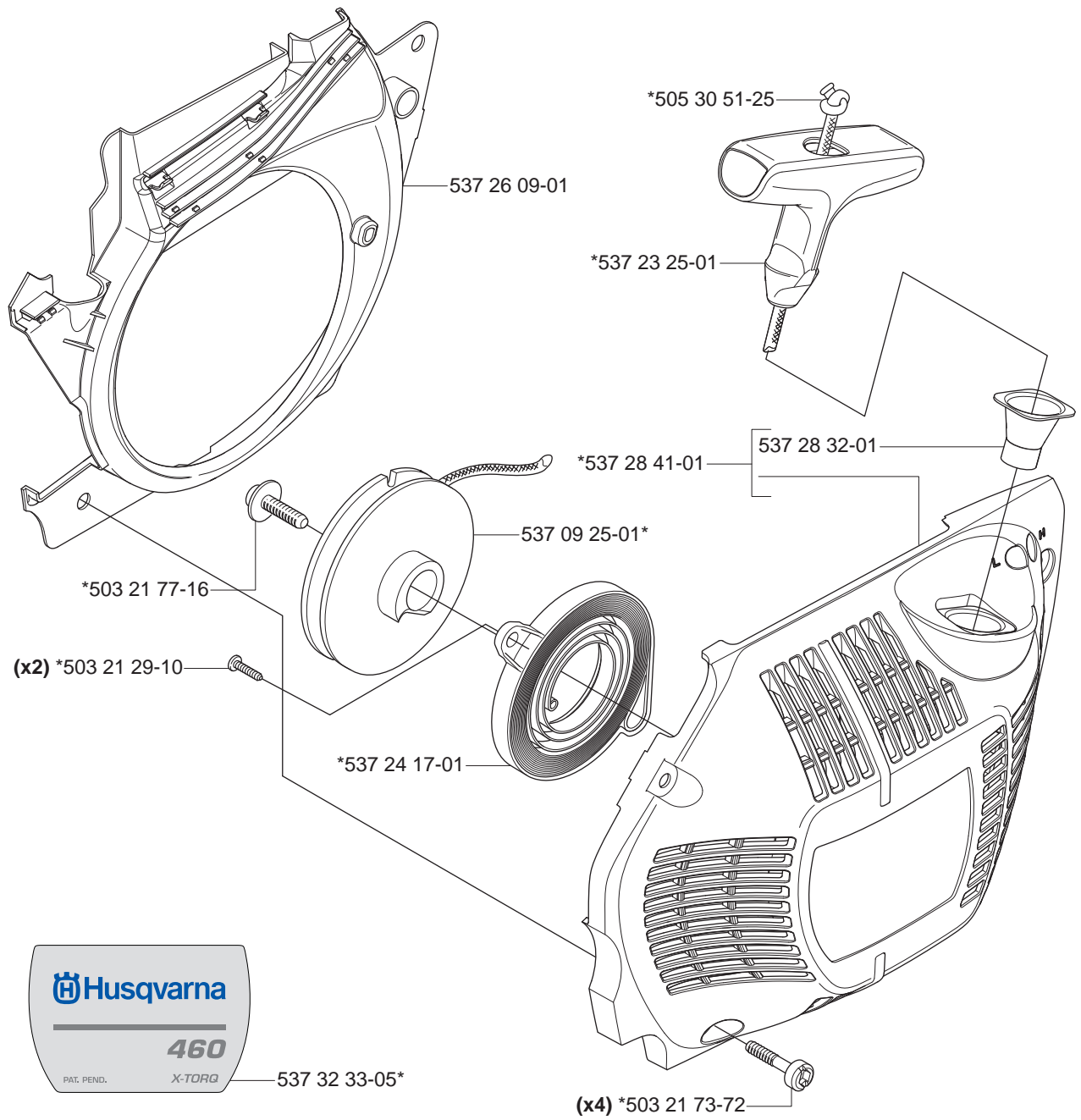
(x3) *503 20 34-76



503 98 74-01*

D

*compl 537 28 42-01



537 32 33-05*

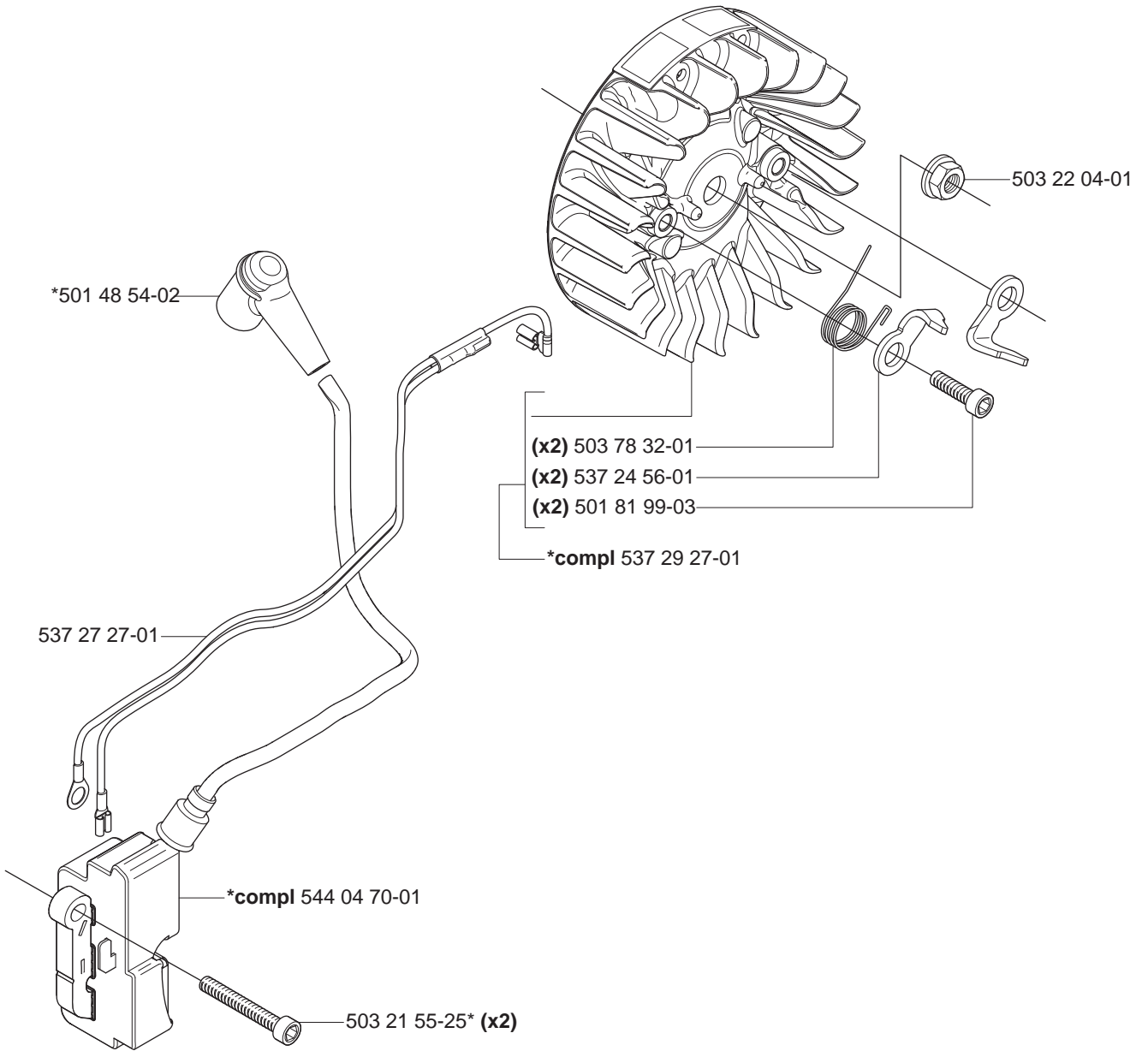


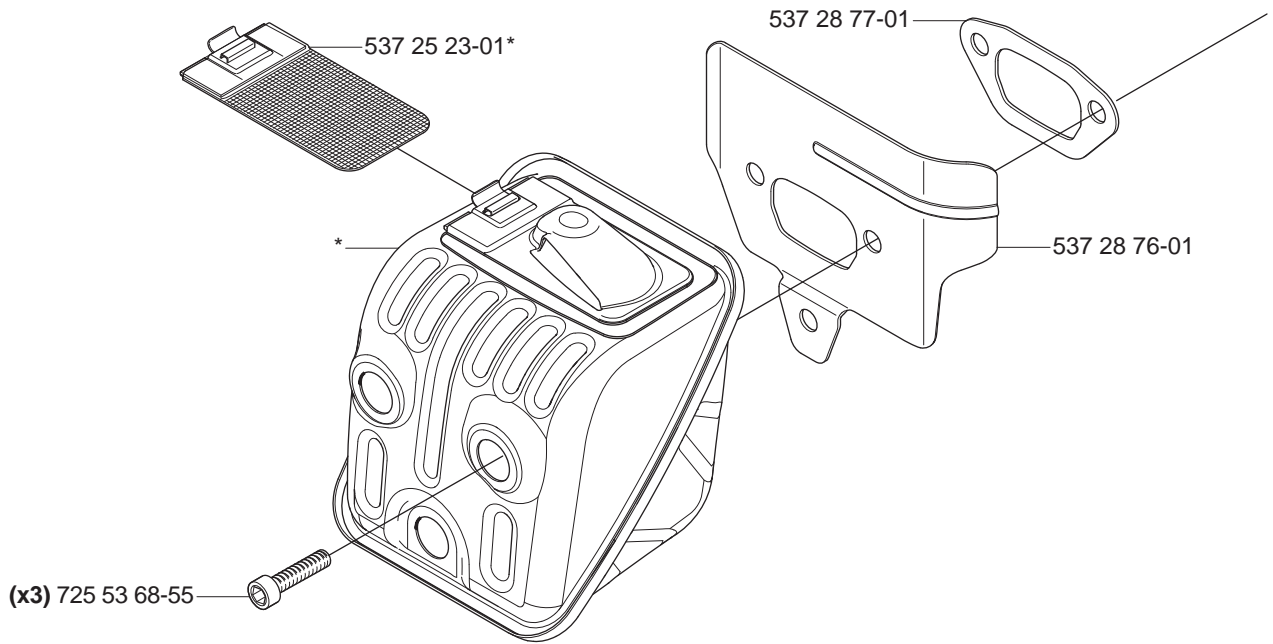
537 32 33-04*



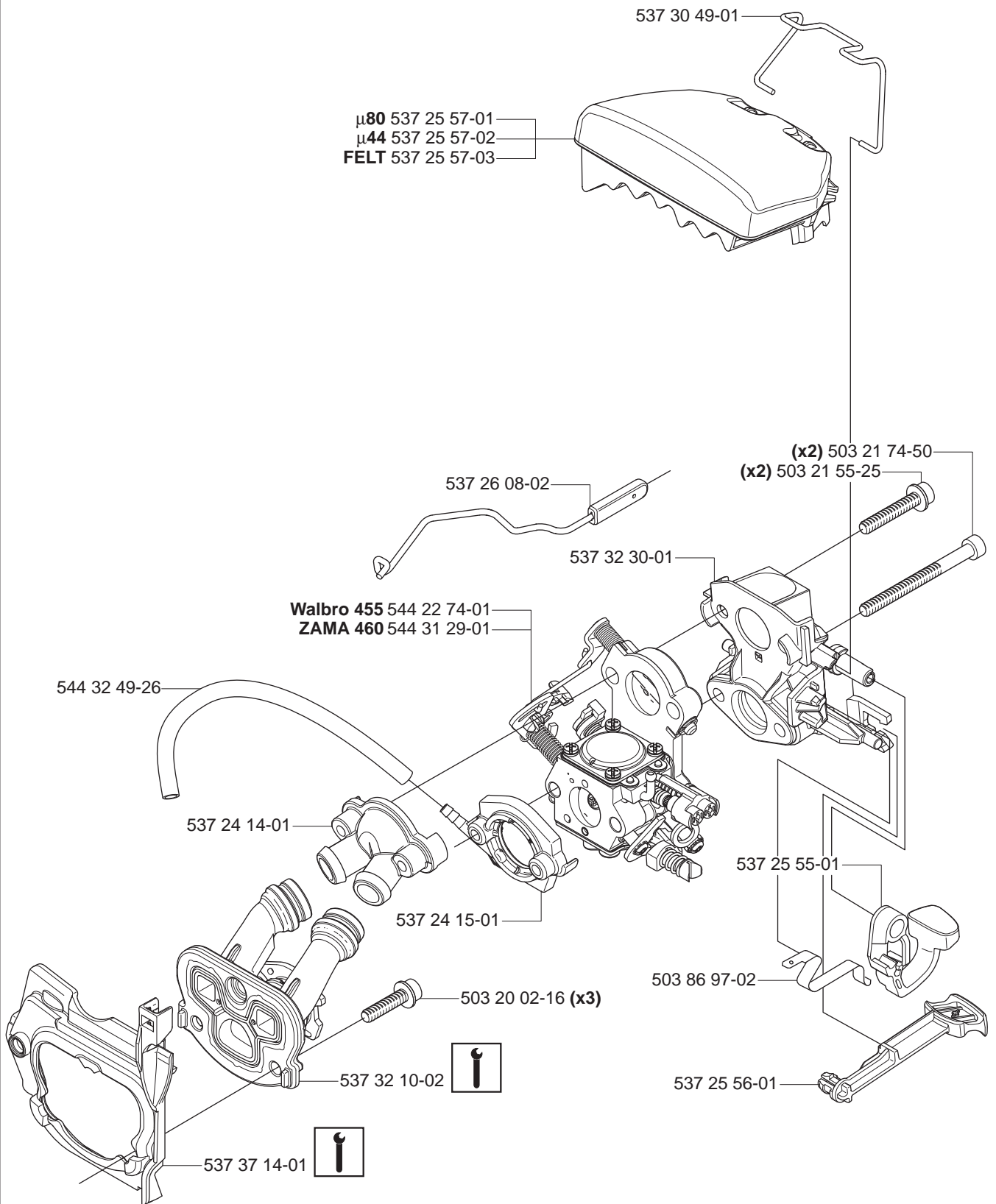
537 32 33-06*

E



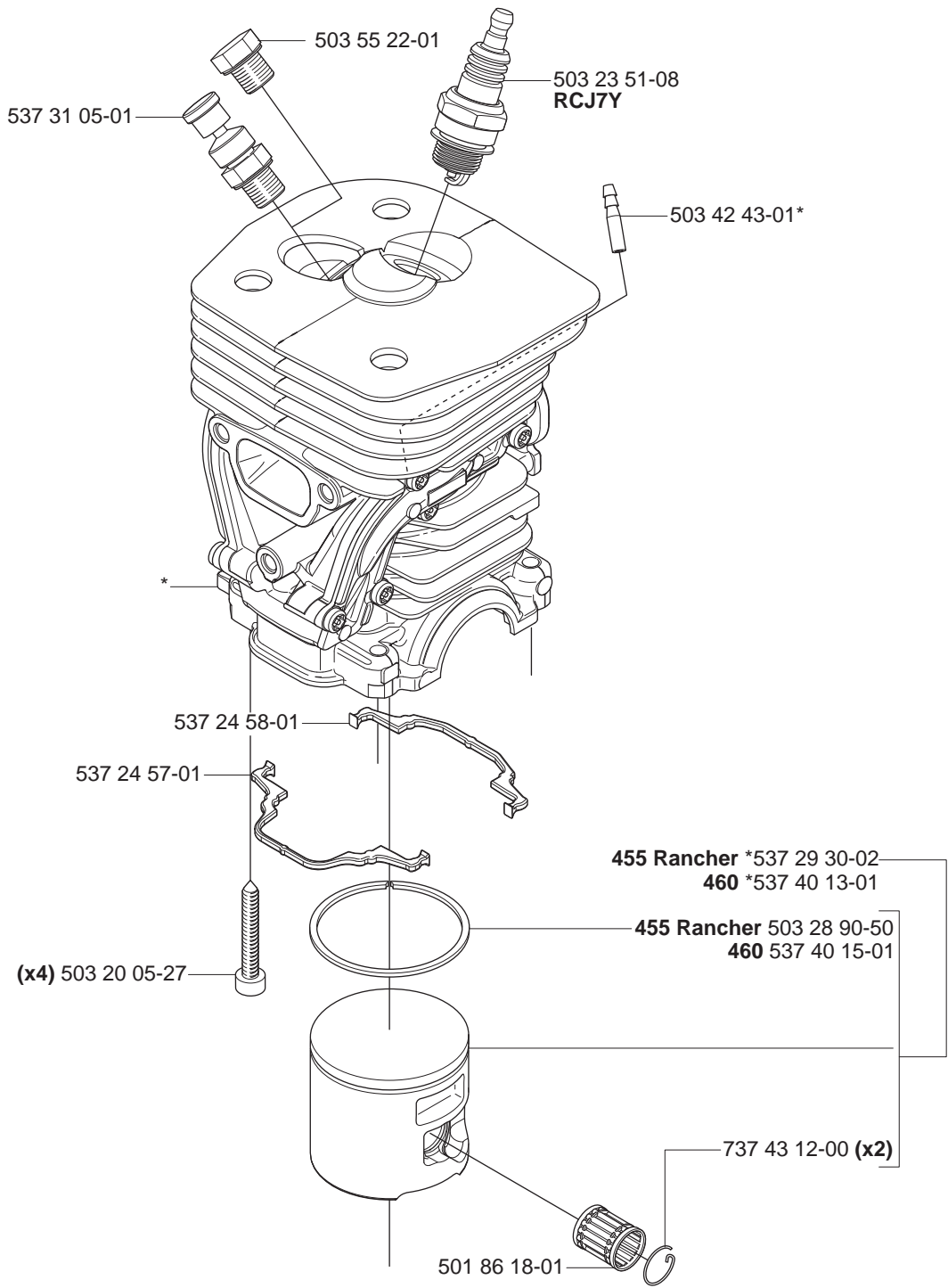


G



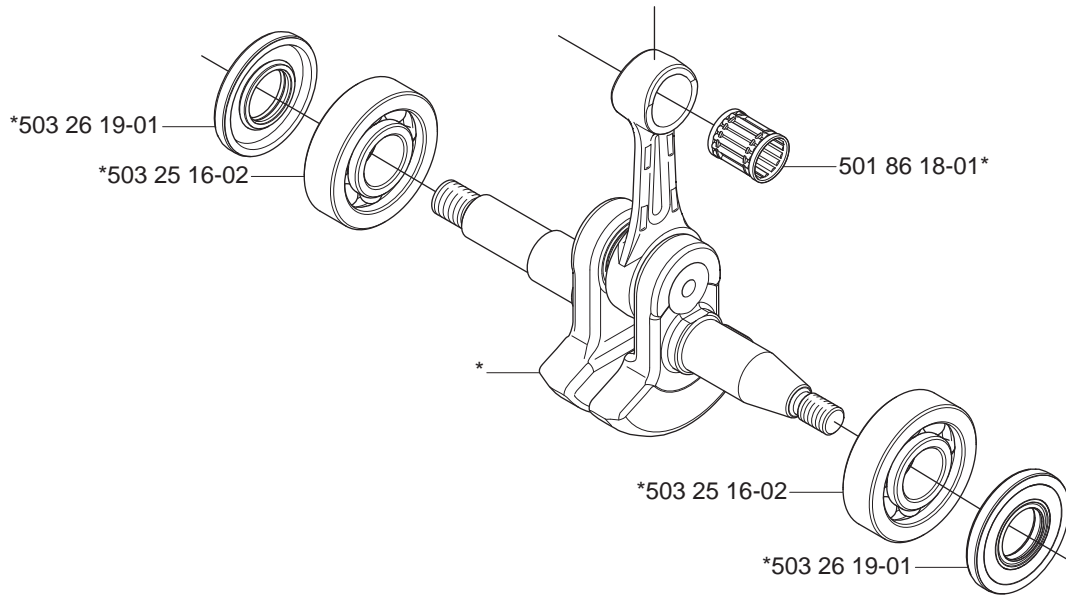


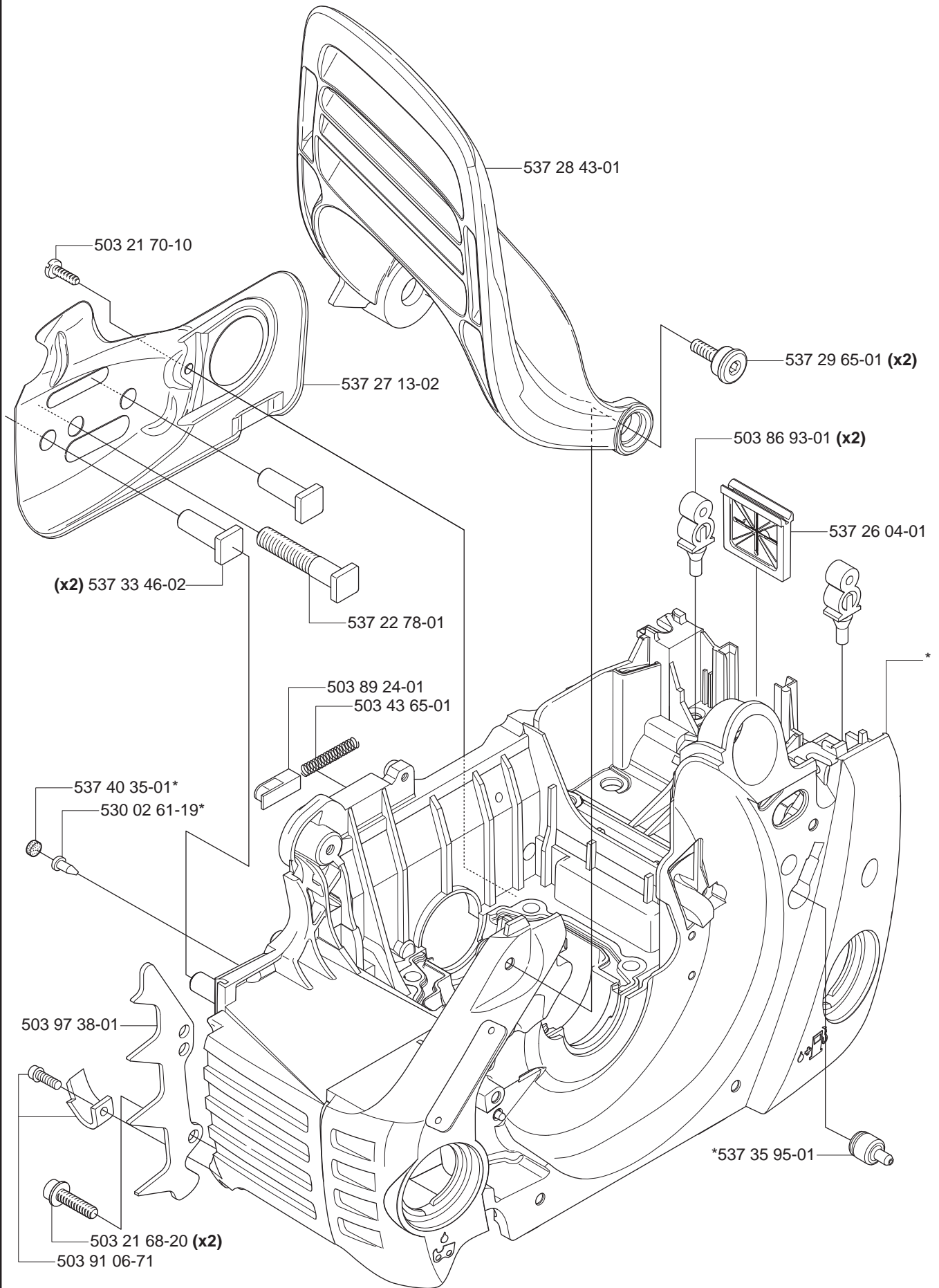
*compl 537 32 04-02 **455 Rancher**
*compl 537 32 05-01 **460**



J

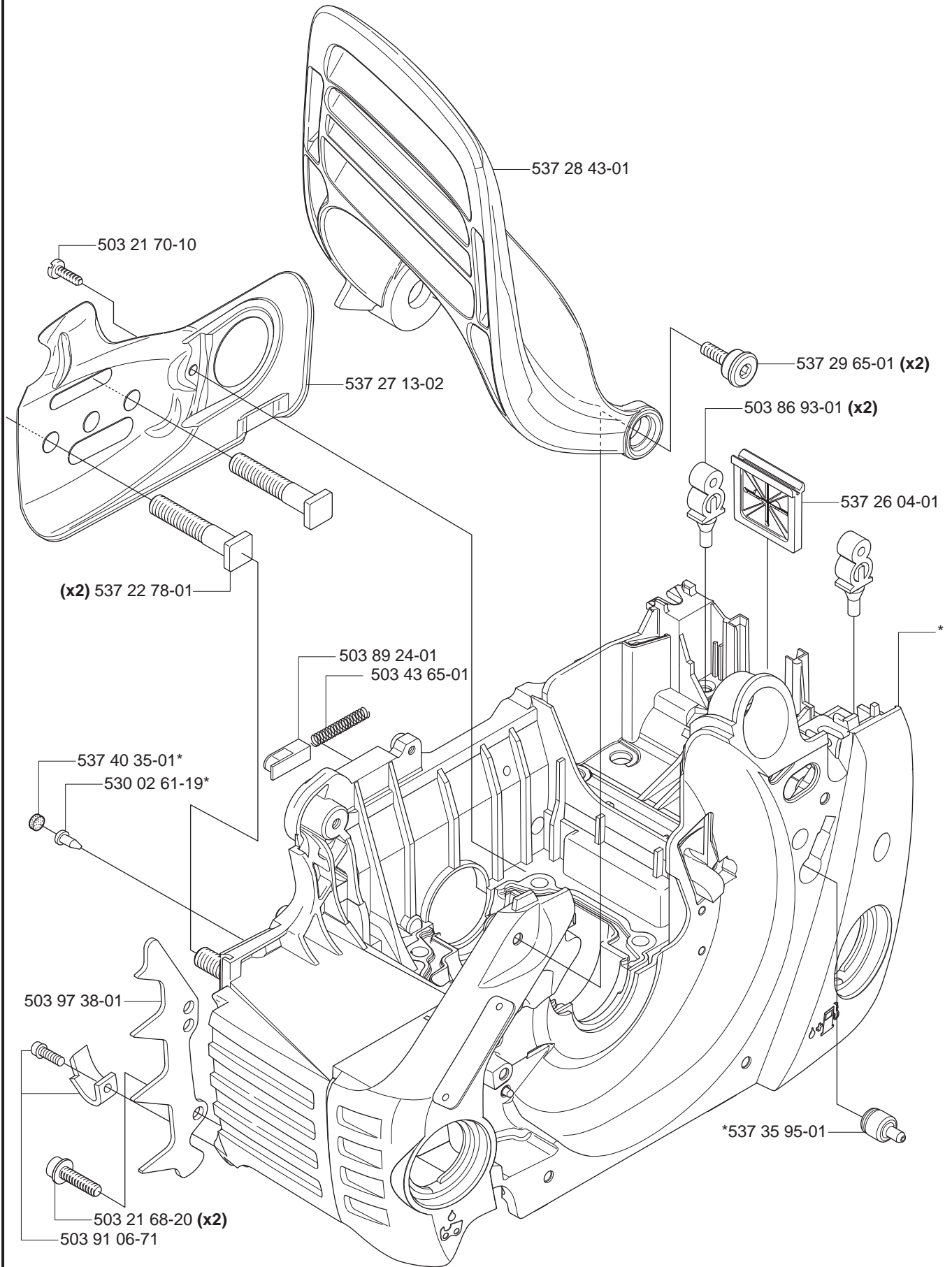
*compl 537 31 40-02



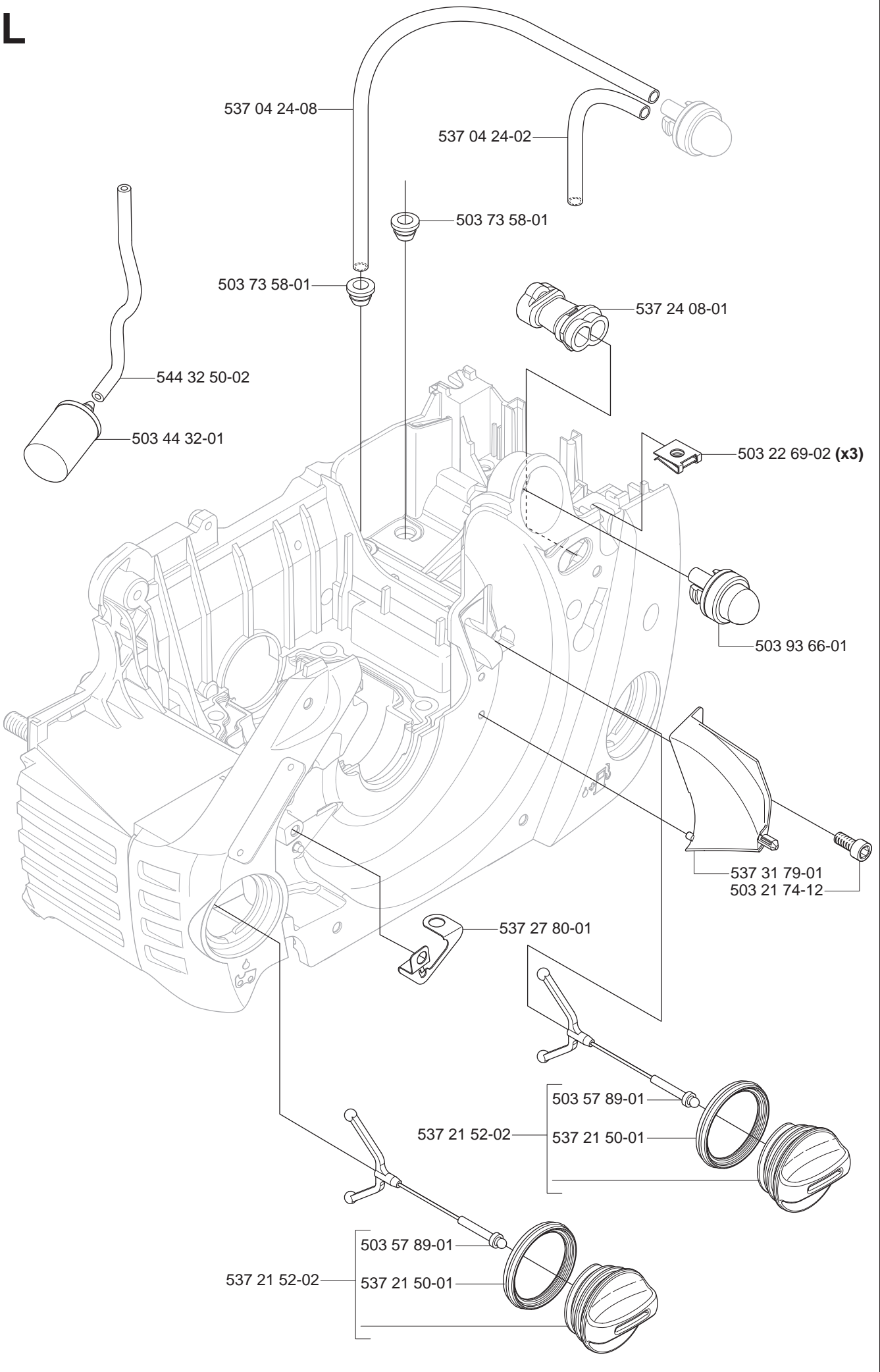
K***compl 537 28 20-04 455e Rancher**

K

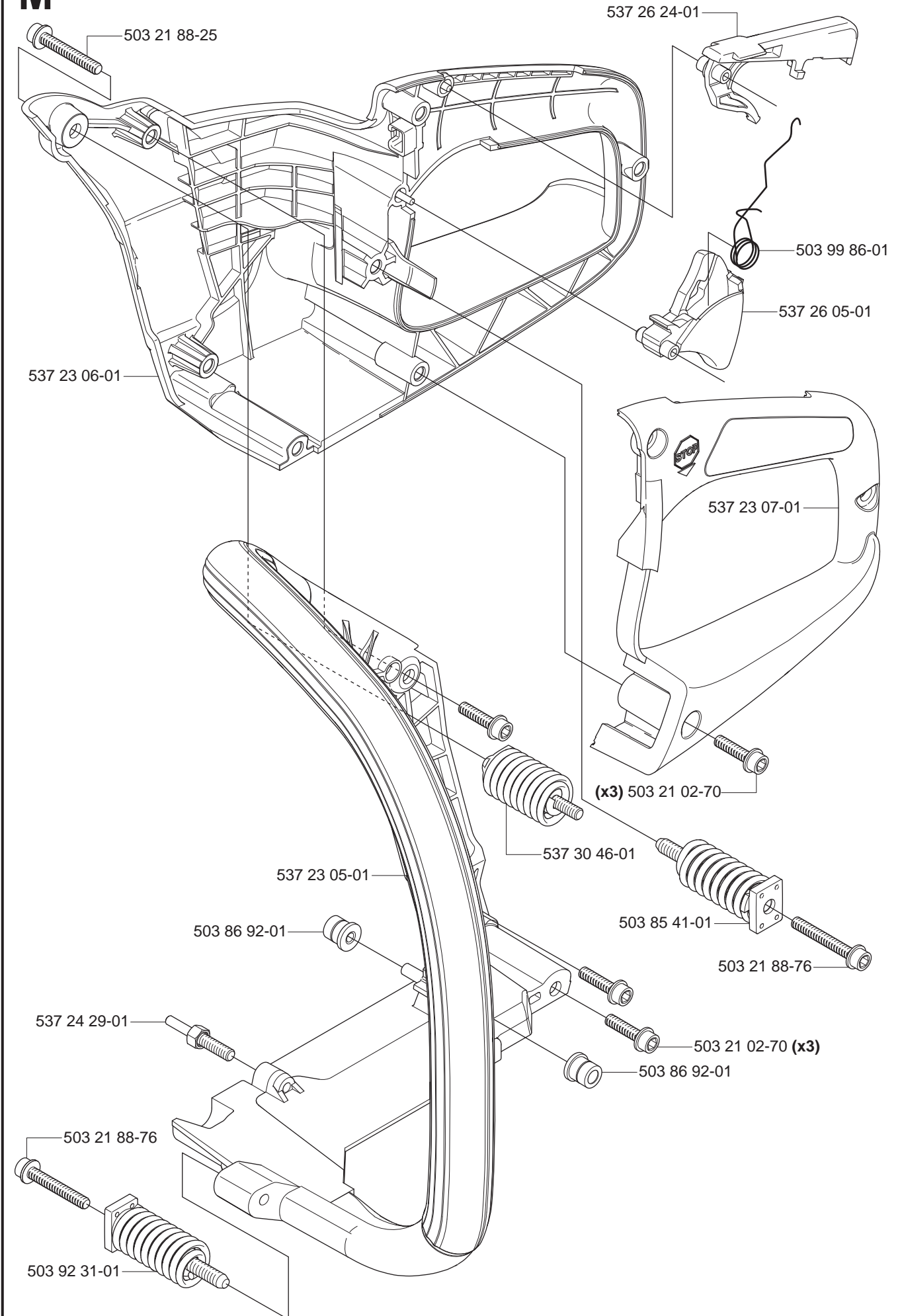
*compl 537 28 20-02 455 Rancher, 460



L

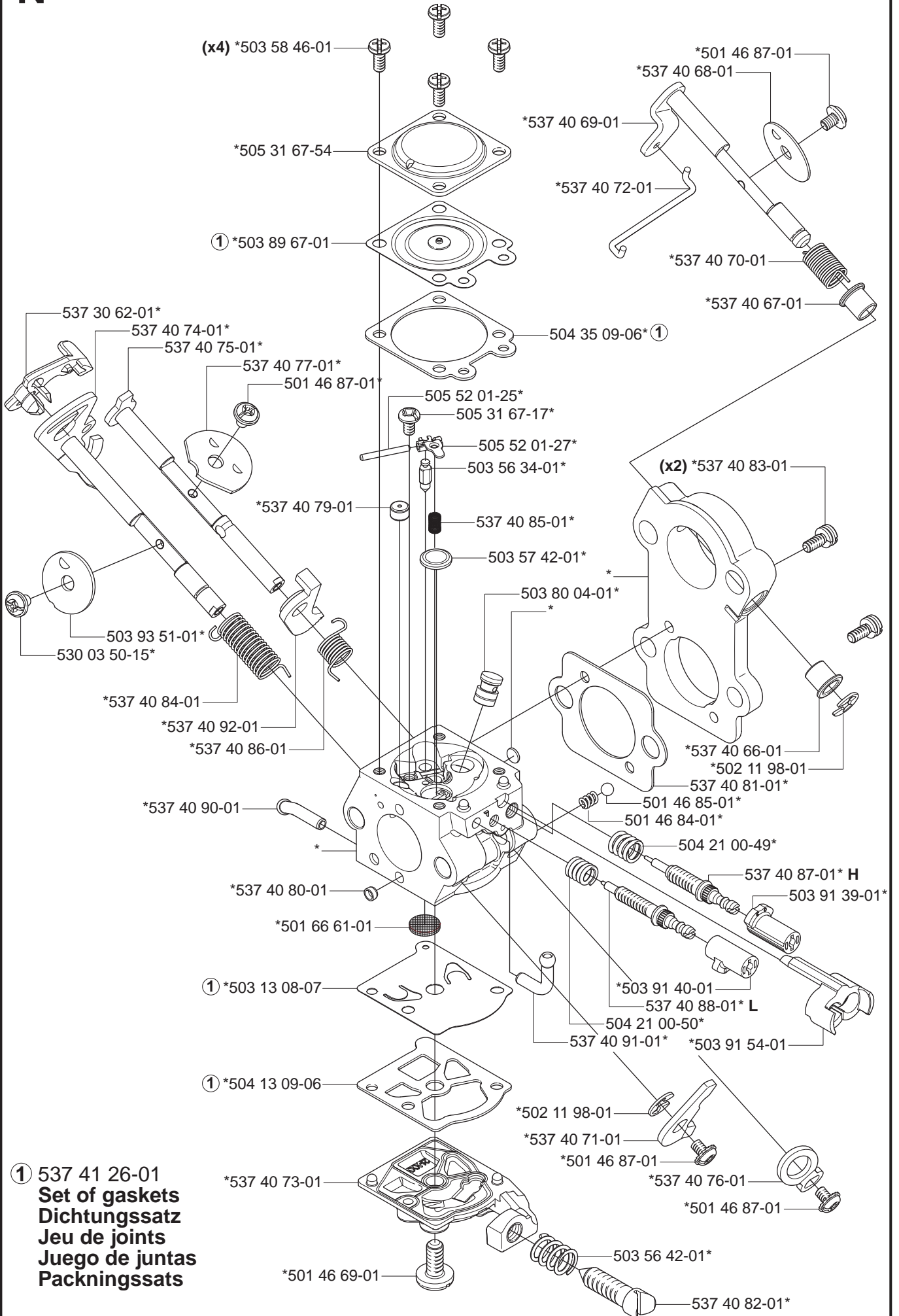


M

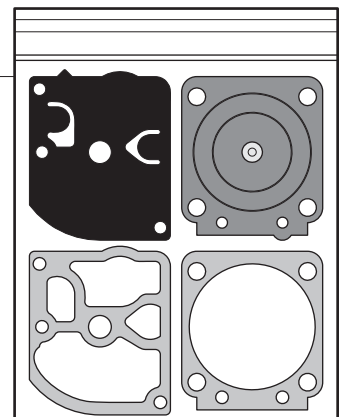
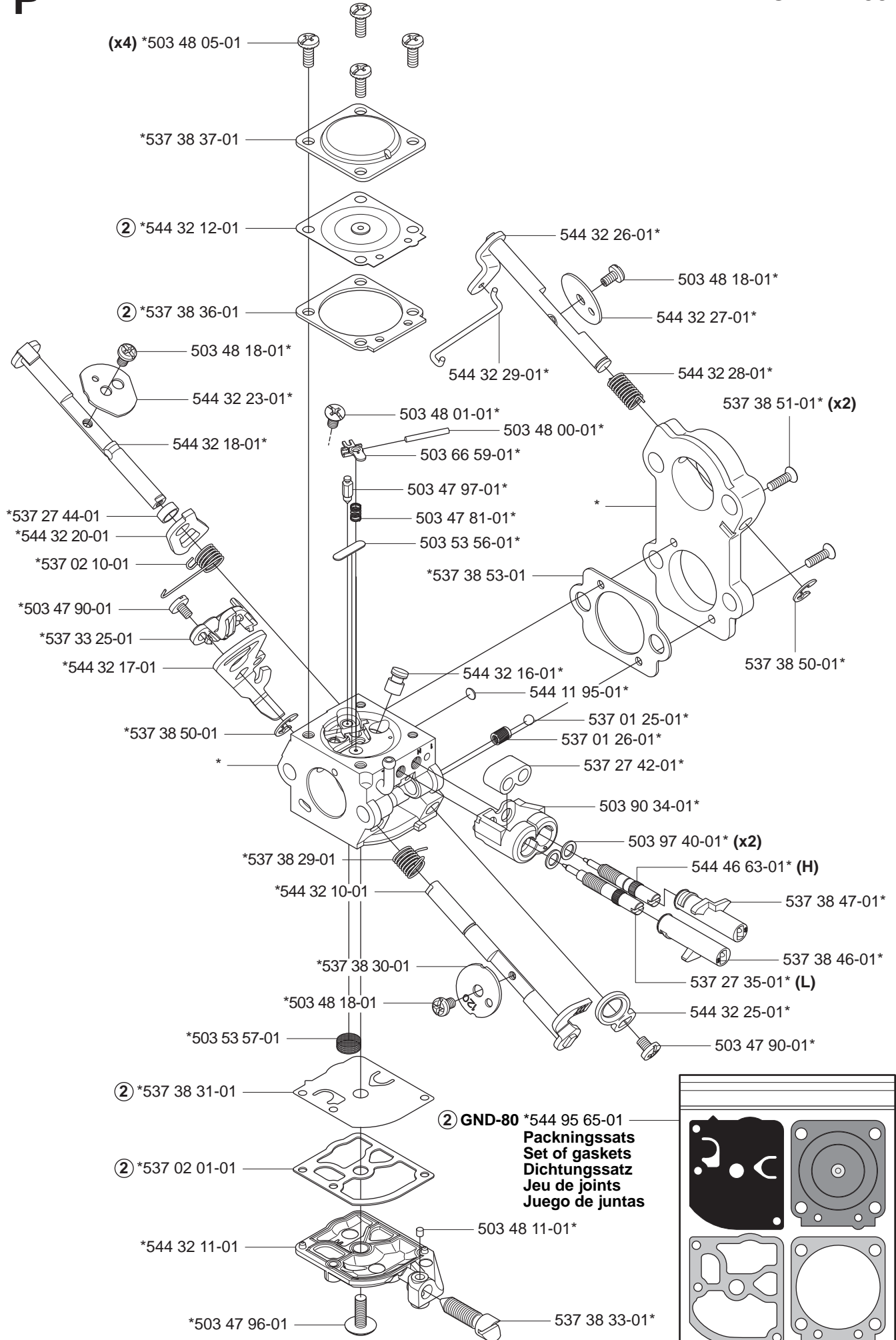


N

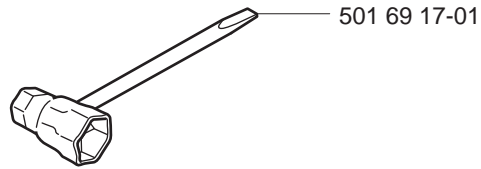
*compl 544 22 74-01 Walbro WTA-29A 455e, 455 Rancher

Walbro WTA-29A

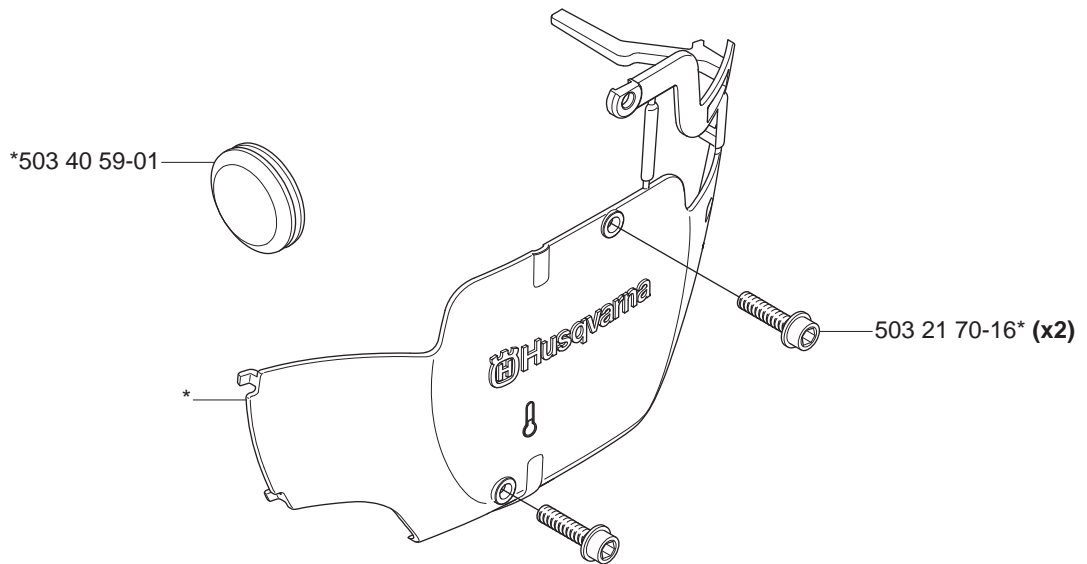
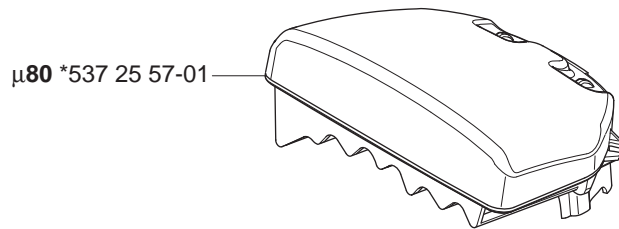
① 537 41 26-01
Set of gaskets
Dichtungssatz
Jeu de joints
Juego de juntas
Packningssats

P***compl 544 31 29-01 ZAMA C1M-EL35 460****ZAMA C1M-EL35**

Q Tillbehör
Accessories
Zubehöre
Accessoires
Accesorios



R WINTER KIT
*compl 537 35 60-01



S



Up to 054802250 (455Rancher)
Up to 054802250 (460)

