

**Dolphin**<sup>™</sup>  
**Caddy**  
by MAYTRONICS LTD.



## **ASSEMBLY INSTRUCTIONS**

Please follow these instructions and refer to the attached diagram when assembling your CADDY.

### **Stage 1:**

Connect the tower [c-1] to the base [c-2] by inserting the cross-shaped protrusions into the recess in the base.

Join these two parts using the provided screws [c-3] and washers [c-4].

Tighten these screws to a maximum, without damaging the plastic, using an 8 mm socket wrench.

### **Stage 2:**

Connect the wheel assembly [c-5], while making sure it is centered, with a washer [c-6] on each side, inserting it with a sharp knock into the groove at the bottom of the base.

### **Stage 3:**

Fasten the plastic power supply [c-7] to the CADDY tower by fitting the slots in the back of the power supply's handle over the "T" pins in the tower, and pressing down firmly until the base of the power supply reaches the base of the tower.

### **Stage 4:**

Connect the two straight pipes [c-8] onto the bottom of the handle with the hooks [c-9].

They should "click" into position.

**Note:** There are 2 small holes at each end of both pipes.

The holes which are located at a longer distance from the edge of the pipe must be inserted into the handle.

### **Stage 5:**

Insert the assembled straight pipes and handle into the apertures in the tower until they both "click" and lock into position at the base of the tower [c-10].

## **OPERATION INSTRUCTIONS**

The CADDY has been designed for exclusive use with DOLPHIN models.

**Caution:** Improper use may cause injuries or damage to the CADDY.

The CADDY has been designed to be pulled [not pushed], thus enabling it to negotiate obstacles.

For safety reasons, the wheels do not contact the ground when the CADDY is standing.

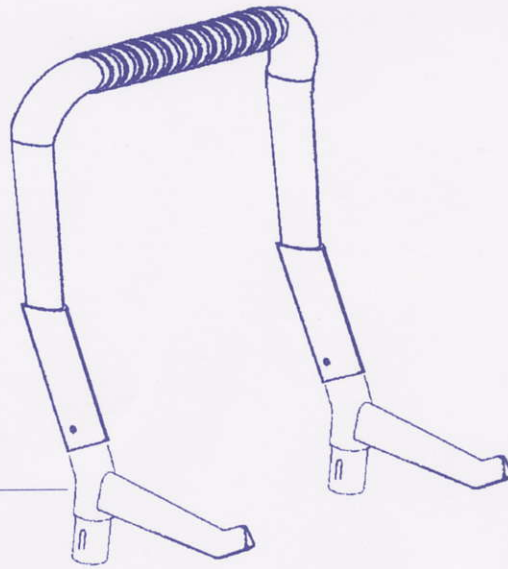
Before it can be moved, the CADDY must be tilted backwards until the two wheels touch the ground.

**Caution:** The CADDY with the power supply must stand at a distance of at least 3 m [10 ft] from the swimming pool, while connected to the mains.

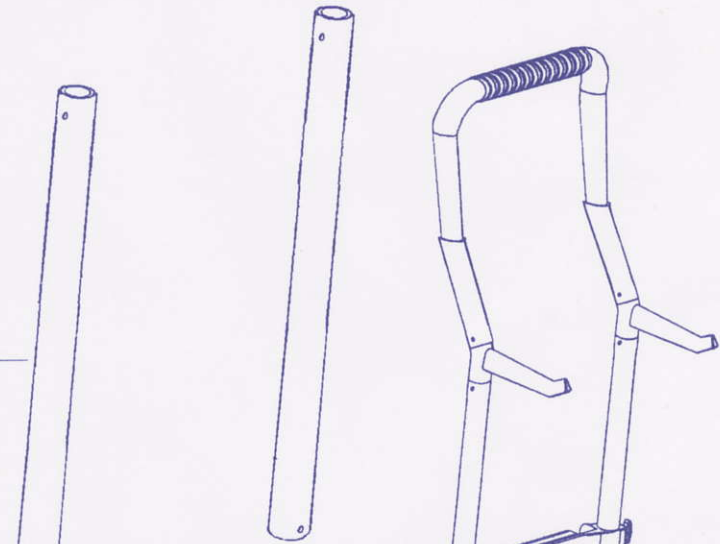
When not in use, store in a dry, shady place.

**DOLPHIN CADDY**

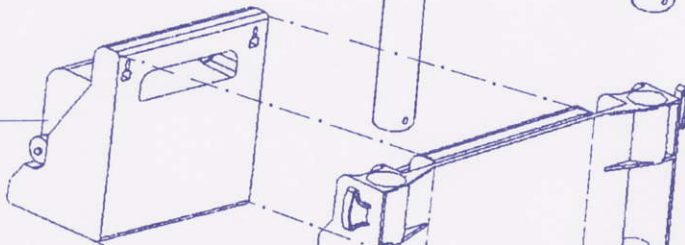
**c-9**



**c-8**

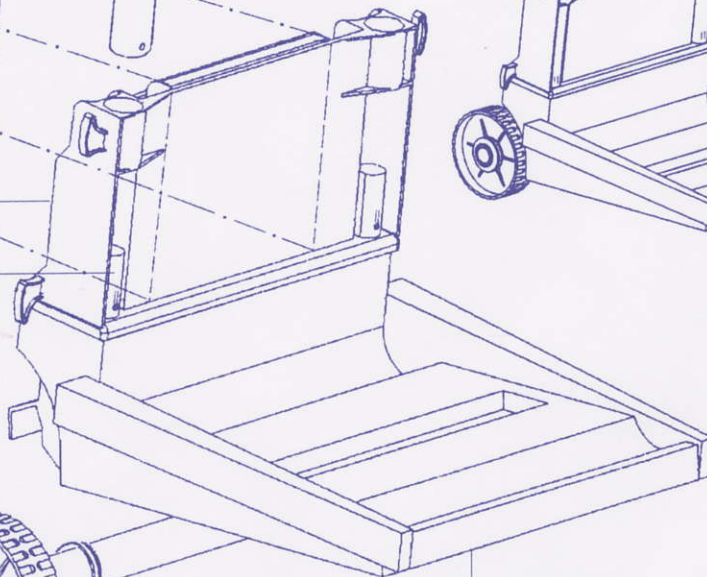


**c-7**



**c-1**

**c-10**

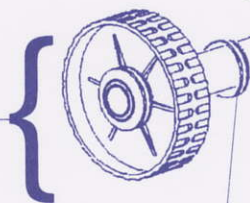


**c-4**

**c-3**



**c-5**



**c-6**

**c-2**

