

READ CAREFULLY BEFORE USING YOUR DOLPHIN DIAGNOSTIC 2001 / 3001 ROBOT POOL CLEANER

INSTALLATION

The power supply [#1] [with or without the CADDY] should be positioned so that the DOLPHIN can reach all the walls of the swimming pool and must be at a minimum distance of 3 meters [10 Ft.] from the edge of the pool [Fig. a].

Factory-wired for either 100V, 115V or 230V mains supply, the voltage rating should be checked before connection.

Ensure that the mains/line outlet is protected by a ground fault interruptor [GFI] or earth leakage interruptor [ELI].

Use only the original DOLPHIN power supply.

The DOLPHIN pool cleaner and power supply have been designed for safe, maintenance-free outdoor use.

DOLPHIN CADDY ASSEMBLY AND OPERATING INSTRUCTIONS

Your DOLPHIN CADDY is factory-assembled, except for the wheel assembly and the handle. When assembling, please follow these instructions and refer to the diagram. Insert the wheel assembly [c-1] firmly into the groove at the bottom of the base ensuring it is centered with a plastic washer [c-2] on each side. Insert the two straight pieces of pipe [c-3] into the holes in the tower [c-4] until they clip onto wishbone clips in the studs at the base of the tower. Fit the two hooks [c-5] to the top of the pipes until they clip into the wishbone clips in the pipes.

Fit the top of the handle [c-6] until it clips onto the wishbone clips [c-7] in the hooks.

The CADDY has been designed to be pulled (not pushed), thus enabling it to negotiate obstacles.

The CADDY must be tilted backwards, until the two wheels touch the ground, before it can be moved.

Caution: Improper use may cause injury or damage the CADDY.

HANDLE

The DOLPHIN features an adjustable handle [#3] fitted into slots on each side of the DOLPHIN body. This handle must be locked in a diagonal position across the top of the DOLPHIN body in order to ensure optimum cleaning results. To avoid cable coiling, reverse handle position after each use [Fig. c].

OPERATION

AVOID ENTERING THE SWIMMING POOL WHILE THE DOLPHIN IS IN OPERATION.

- Connect the cable [#2] to the power supply.
- Place the DOLPHIN in the pool [Fig. b].
- Rock from side to side, releasing trapped air, until the DOLPHIN slowly sinks to the bottom of the pool.
- Connect the power supply to a protected grounded outlet and switch on.

Caution: Do not operate the DOLPHIN out of water. This may result in extensive damage to the pump motor seals, thus invalidating the warranty.

- Optimum water temperature for the DOLPHIN is 18°C – 32°C [64°F – 90°F].

**AUTOMATIC
SHUT DOWN**

The DOLPHIN 2001 will automatically shut down after a work cycle of 6 hours [12 hours for the DOLPHIN 3001]. Should a second cycle be required, switch off the power supply for at least 30 seconds before restarting.

SWITCH OFF THE POWER SUPPLY BEFORE REMOVING THE DOLPHIN FROM THE POOL.

Caution: Power fluctuations may cause the DOLPHIN to restart.

Remove the DOLPHIN from the water by gently pulling in the cable.
When the DOLPHIN reaches the surface, lift it out by the handle, NOT by the cable.
After carefully reeling in and coiling the cable, place it on the hooks of the CADDY.
When out of the water, store the DOLPHIN on its side, or upright on its CADDY in a dry, shaded place at a temperature of between 5°C – 45°C [41°F – 113°F] [Fig. h].

MAINTENANCE

Clean the filter bag after each use.

- a. Place the DOLPHIN up side down. Release the locking plate [#5] on the bottom lid [Fig.d] and remove the bottom lid assembly [#6+#4] [Fig. e].
- b. Remove the filter bag from the bottom lid, and turn the filter bag inside out. Using a garden hose wash it thoroughly [Fig. f]. The bag may be laundered, using a regular synthetics wash-cycle.
- c. Wash the bottom lid parts.
- d. Refit the filter bag with the fluffy surface inwards. The tag should be on the outside and positioned centrally on the long side of the bottom lid.
- e. Replace the filter bag clips [#8] [Fig.g].
- f. Install the bottom lid assembly in the body and lock it in place.

Note: The bottom lid assembly fits loosely into the DOLPHIN body. If you encounter any difficulties, the filter bag is probably incorrectly fitted.

**PERIODICAL
REMOVAL OF
DEBRIS FROM
THE MOVING PARTS**

Warning! DISCONNECT MAINS BEFORE REMOVING IMPELLER TUBE [#9].

The impeller can be cleaned by twisting and removing the impeller tube [Fig.i].
Remove debris or hair clogging the impeller [#7].
Remove the debris accumulated between tracks [#10] and wheels [#11].

**IMPORTANT
TIPS**

- Clean the filter bag whenever you remove the DOLPHIN from the pool [if a bag is left dirty it may become unusable].
- An optional filter bag is available for collection of rough debris.
- Replace worn brushes [#12] to ensure maximum cleaning performance.
- WONDER BRUSHES are available for pools with very smooth surfaces-contact your dealer.

**GENERAL
SPECIFICATIONS**

Calculated Ground Speed	900 m/hr	50 ft/min
Calculated Scanning Rate	350 m ² /hr	63 ft ² /min
Suction Rate	18,000 l/hr	65.5 gal/min
Weight [w/o cable]	9.4 kg	20.8 lbs

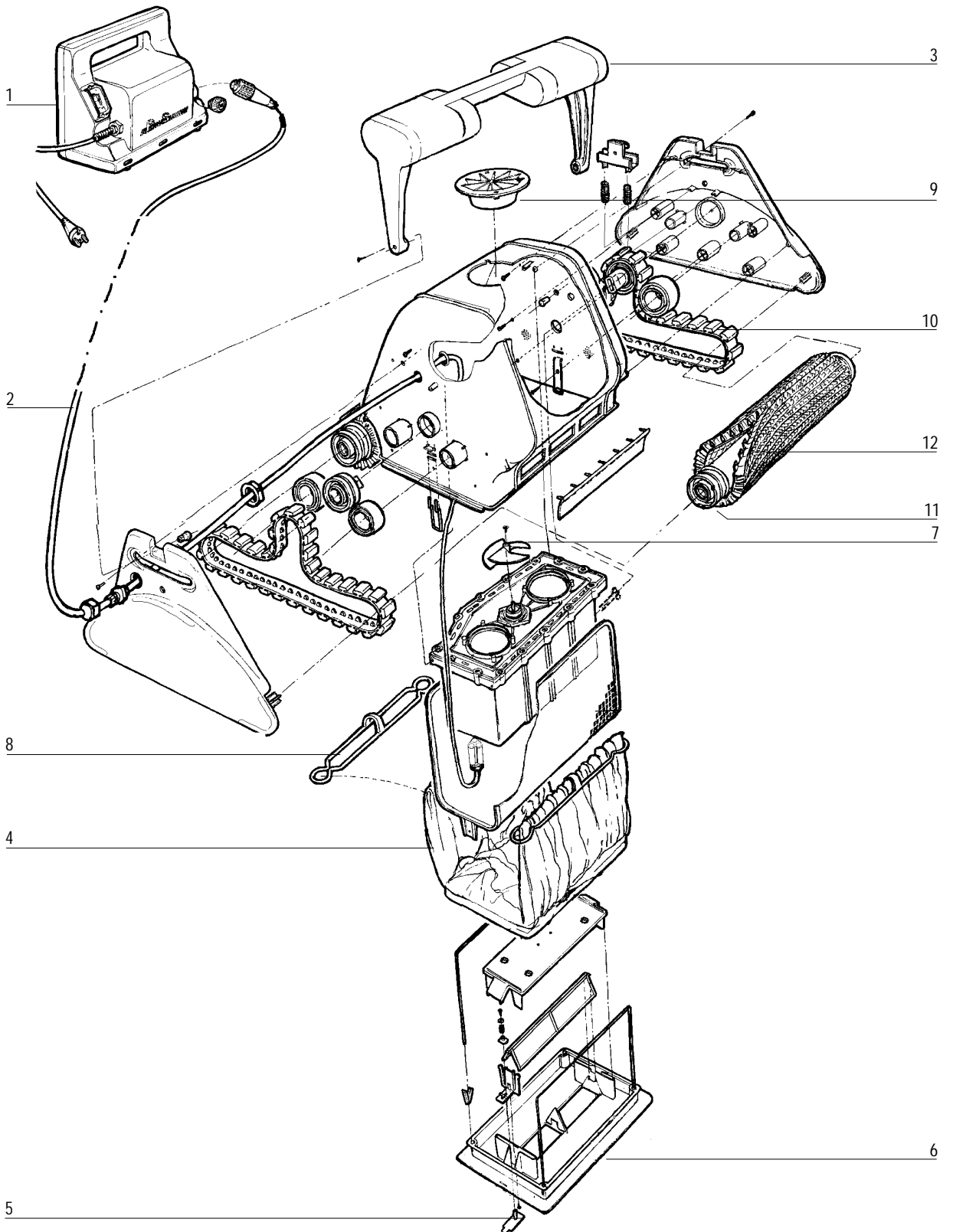
Power Supply

Primary Voltage	100 VAC / 115 VAC / 230 VAC
Secondary Voltage	28 VDC - nominal
Rated output	230 VAC - 150 W/ 115 VAC - 250 W

These specifications may vary for different swimming pools and for the various electrical configurations.

Although the DOLPHIN has been tested in a wide range of swimming pools, MAYTRONICS cannot accept responsibility if the DOLPHIN is not entirely suitable for any particular swimming pool.

Note: The sealed motor unit and the DOLPHIN power supply contain no user- serviceable parts. Opening these units will automatically invalidate your warranty.



DOLPHIN CADDY

C-6

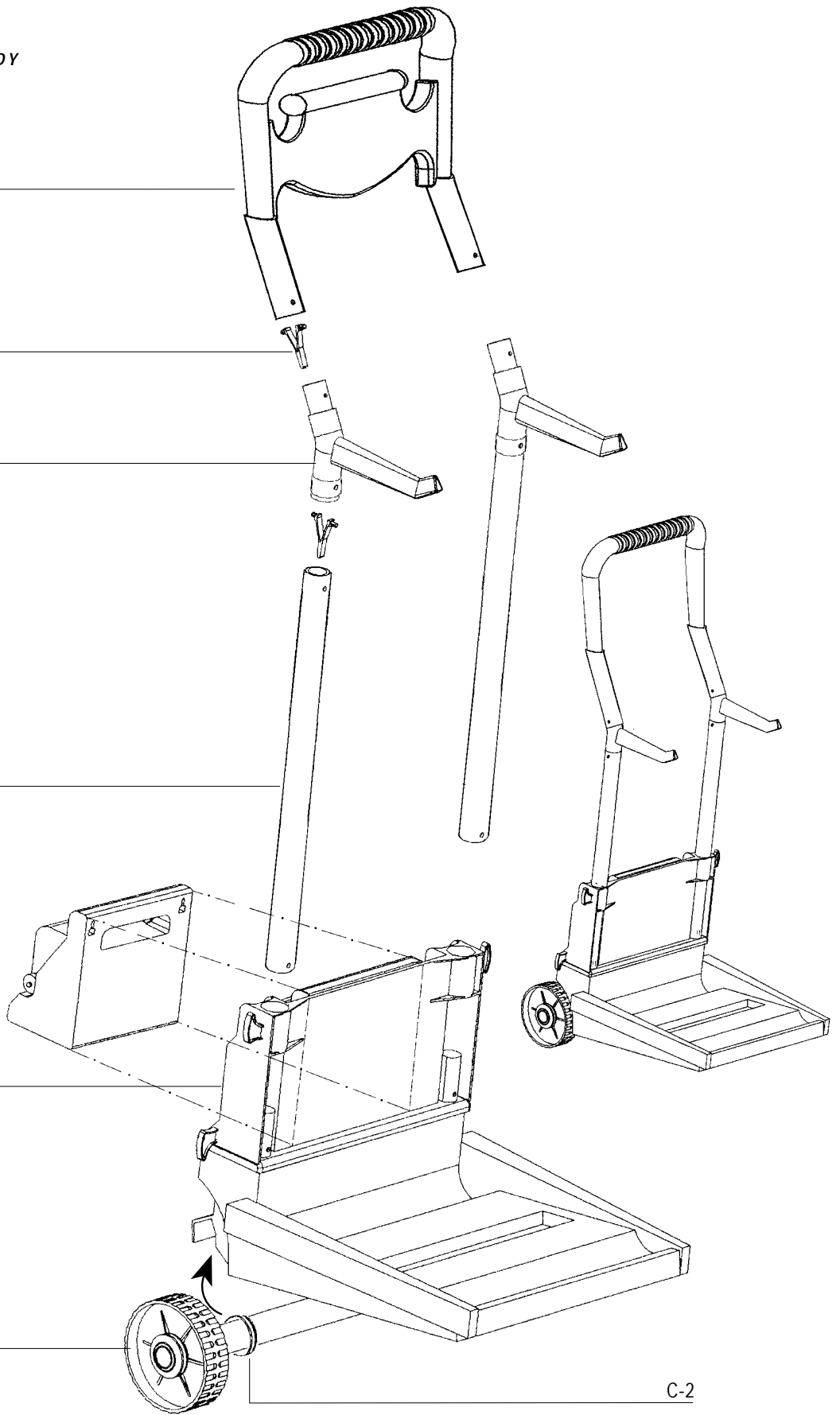
C-7

C-5

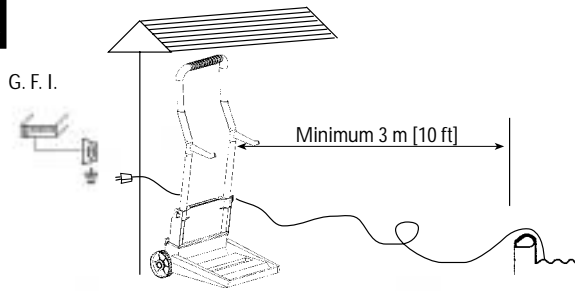
C-3

C-4

C-1



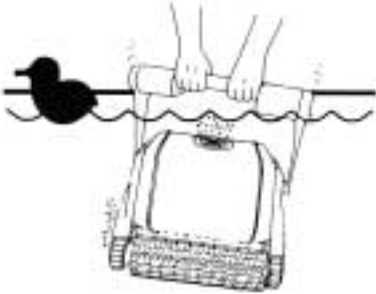
a



f



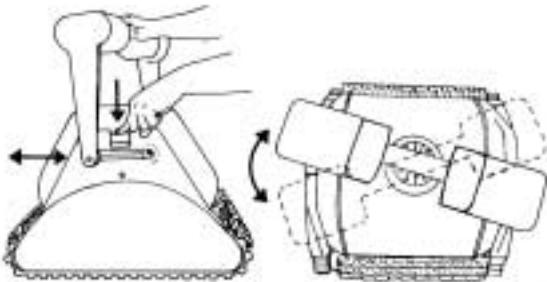
b



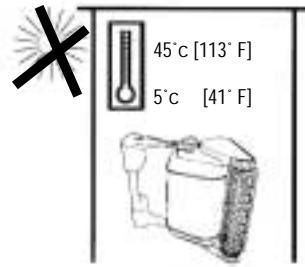
g



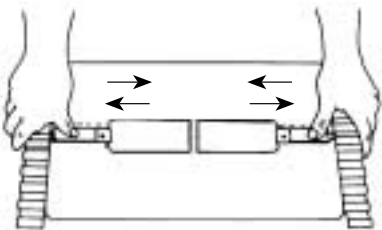
c



h



d



i



e

