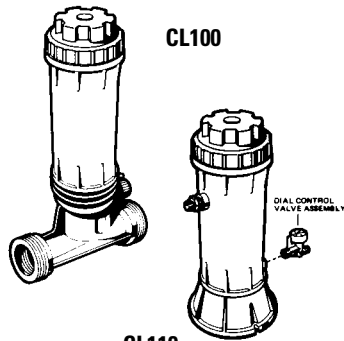


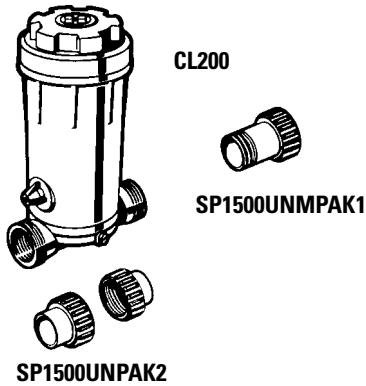


Chlorine and Bromine Feeders

REPLACEMENT PARTS



CL100

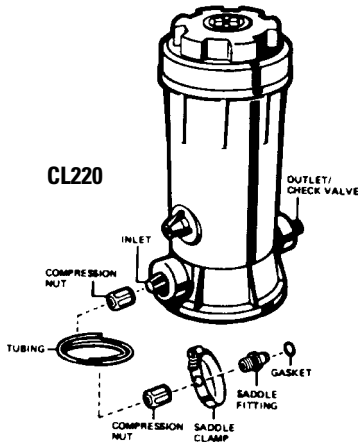


CL110

CL200

SP1500UNMPAK1

SP1500UNPAK2



CL220

OUTLET/
CHECK VALVE

INLET

COMPRESSION
NUT

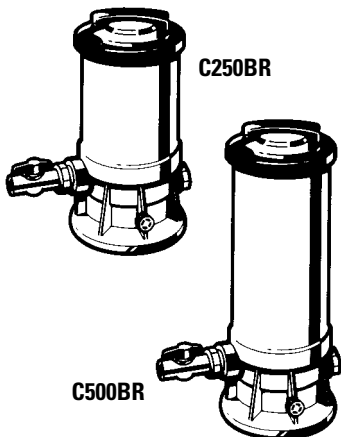
TUBING

COMPRESSION
NUT

SADDLE
FITTING

SADDLE
CLAMP

GASKET



C250BR

C500BR

CL100 and CL110 Series Chlorine Feeders

Part No.	Description	Ctn. Qty.
CLX110C	Cover*	1
CLX110K	O-Ring, Special Composition Viton®	10
CLX110DA	Dial Control Valve Assembly	1
CLX110B	Mounting Base	1
CLX110FA	Control Knob Assembly (CL100)	1

NOTE: Fittings, tubing, clamps, drain plug and checkX valve are same as CL200 and CL220 Series.

*For Bromine Feeder Cover, add "-2" to Part No.

CL200 and CL220 Series Chlorine Feeders

Part No.	Description	Ctn. Qty.
CLX200EGA	Cover Retaining Screw w/Slip Washers and Center Cap	10
CLX200C	Cover Cap*	5
CLX200CA	Cover & Cap Assembly, includes O-Ring	5
CLX200B	Cover*	5
CLX200K	O-Ring, Special Composition Viton	10
CLX200H	Feeder Tube	10
CLX200PA	Control Knob Assembly w/O-Rings (Viton) – large (1989)	10
CLX200LA	O-Rings (Viton) w/"C" Ring (Set of 3)	10
SPX1700FGV	Drain Plug w/Gasket	10
CLX220B	Base (CL220)	5
CLX200BS	Base (CL200)	5
CLX220EA	Check Valve and Inlet Fitting Adapter Assembly	5
CLX220GA	Saddle Fitting, Nut, Gasket, Saddle Clamp and 4 ft. Tubing	5
CLX220K	Saddle Clamp	10
CLX220J	8 ft. Length Chlorinator Tubing	5
CLX220H	Compression Nut	10
CLX220P	1/4" Adapter Fitting	5
SPX1091Z7TC	Combo Adapter w/1/4" Tap	10
SPX1105Z4TC	Elbow Adapter w/1/4" Tap	10
SPX1480BTC	Union End w/1/4" Tap	5
SP1500UNPAK2	Female Union End Connector Pak – Includes: 2 each Socket Connector, Union Nut, O-Ring	50
SP1500UNMPAK1	Male Union End Connector Pak – Includes: 1 each 1 1/2" MPT Nipple Connector, Union Nut, O-Ring	50

* For Bromine Feeder, add "-2" to Part No.

C250CF, 500CF, 1100CF, 1800CF Chemical Feeders (see note)

Part No.	Description	Ctn. Qty.
SPX3100D	Cover	5
SP3100T	Cover Removal Tool	1
SPX3000SV	Cover O-Ring, Special Composition Viton	5
CX500J	Strainer	5
CX250Z14	1/2" Drain Plug	10
SPX0605Z2V	Drain Plug O-Ring, Special Composition Viton	25
CX500BV	3/4" Control Valve w/Dial Indicator (C250BR, 500BR)	5
CX500CV	3/4" Check Valve (C250BR, 500BR)	5
CX500P	Handle for Control Valve	5
CX1100BV	1 1/2" Control Valve w/Dial Indicator	5
CX1100CV	1 1/2" Check Valve	5
CX1100P	Handle for Control Valve	5

NOTE: Formerly "BR" (Bromine) and "BRC" (Chlorine) feeders.



CL100 and CL110 Series Chlorine Feeders

Part No.	Description	Ctn. Qty.	List Price
CLX110C	Cover*	1	\$14.02
CLX110K	O-Ring, Special Composition Viton®	10	17.74
CLX110DA	Dial Control Valve Assembly	1	15.02
CLX110B	Mounting Base	1	9.87
CLX110FA	Control Knob Assembly (CL100)	1	11.55

NOTE: Fittings, tubing, clamps, drain plug and checkX valve are same as CL200 and CL220 Series.

*For Bromine Feeder Cover, add "-2" to Part No.

CL200 and CL220 Series Chlorine Feeders

Part No.	Description	Ctn. Qty.	List Price
CLX200EGA	Cover Retaining Screw w/Slip Washers and Center Cap	10	\$7.21
CLX200C	Cover Cap*	5	16.03
CLX200CA	Cover & Cap Assembly, includes O-Ring	5	55.07
CLX200B	Cover*	5	13.07
CLX200K	O-Ring, Special Composition Viton	10	19.74
CLX200H	Feeder Tube	10	4.01
CLX200PA	Control Knob Assembly w/O-Rings (Viton) – large (1989)	10	12.31
SPX1700FGV	Drain Plug w/Gasket	10	3.66
CLX220B	Base (CL220)	5	11.50
CLX200BS	Base (CL200)	5	12.65
CLX220EA	Check Valve and Inlet Fitting Adapter Assembly	5	10.00
CLX220GA	Saddle Fitting, Nut, Gasket, Saddle Clamp and 4 ft. Tubing	5	14.59
CLX220K	Saddle Clamp	10	5.53
CLX220J	8 ft. Length Chlorinator Tubing	5	9.19
CLX220H	Compression Nut	10	1.69
CLX220P	1/4" Adapter Fitting	5	1.69
SPX1091Z7TC	Combo Adapter w/1/4" Tap	10	4.53
SPX1105Z4TC	Elbow Adapter w/1/4" Tap	10	5.85
SPX1480BTC	Union End w/1/4" Tap	5	11.18
SP1500UNPAK2	Female Union End Connector Pak – Includes: 2 each Socket Connector, Union Nut, O-Ring	50	—
SP1500UNMPAK1	Male Union End Connector Pak – Includes: 1 each 1 1/2" MPT Nipple Connector, Union Nut, O-Ring	50	—

* For Bromine Feeder, add "-2" to Part No.

C250CF, 500CF, 1100CF, 1800CF Chemical Feeders (see note)

Part No.	Description	Ctn. Qty.	List Price
SPX3100D	Cover	5	\$37.80
SP3100T	Cover Removal Tool	1	12.33
SPX3000SV	Cover O-Ring, Special Composition Viton	5	30.40
CX500J	Strainer	5	9.01
CX250Z14	1/2" Drain Plug	10	2.33
SPX0605Z2V	Drain Plug O-Ring, Special Composition Viton	25	4.57
CX500BV	3/4" Control Valve w/Dial Indicator (C250BR, 500BR)	5	33.02
CX500CV	3/4" Check Valve (C250BR, 500BR)	5	26.15
CX500P	Handle for Control Valve	5	4.54
CX1100BV	1 1/2" Control Valve w/Dial Indicator	5	59.48
CX1100CV	1 1/2" Check Valve	5	54.60
CX1100P	Handle for Control Valve	5	6.72

NOTE: Formerly "BR" (Bromine) and "BRC" (Chlorine) feeders.

