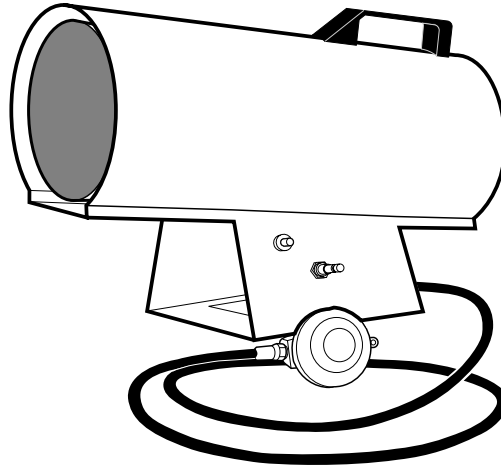


For more information, visit [www.desatech.com](http://www.desatech.com)

**Models**  
**BLP30**  
**REM30LP**  
**30,000 Btu/Hr**



**IMPORTANT:** Read and understand this manual before assembling, starting or servicing heater. Improper use of heater can cause serious injury. Keep this manual for future reference.

**⚠ GENERAL HAZARD WARNING:**

**FAILURE TO COMPLY WITH THE PRECAUTIONS AND INSTRUCTIONS PROVIDED WITH THIS HEATER, CAN RESULT IN DEATH, SERIOUS BODILY INJURY AND PROPERTY LOSS OR DAMAGE FROM HAZARDS OF FIRE, EXPLOSION, BURN, ASPHYXIATION, CARBON MONOXIDE POISONING, AND/OR ELECTRICAL SHOCK.**

**ONLY PERSONS WHO CAN UNDERSTAND AND FOLLOW THE INSTRUCTIONS SHOULD USE OR SERVICE THIS HEATER.**

**IF YOU NEED ASSISTANCE OR HEATER INFORMATION SUCH AS AN INSTRUCTIONS MANUAL, LABELS, ETC. CONTACT THE MANUFACTURER.**

## TABLE OF CONTENTS

SAFETY INFORMATION .....	2	MAINTENANCE .....	6
PRODUCT IDENTIFICATION .....	3	SPECIFICATIONS .....	6
UNPACKING .....	3	TROUBLESHOOTING .....	7
FUNDAMENTALS OF OPERATION .....	3	SERVICE PROCEDURES .....	8
ASSEMBLY .....	4	ILLUSTRATED PARTS BREAKDOWN AND PARTS LIST .....	10
PROPANE SUPPLY .....	4	ACCESSORIES .....	12
INSTALLATION .....	4	TECHNICAL SERVICE .....	12
VENTILATION .....	5	REPLACEMENT PARTS .....	12
OPERATION .....	5	OWNER'S REGISTRATION FORM .....	13
STORAGE .....	6	WARRANTY AND REPAIR SERVICE .....	Back Cover

## SAFETY INFORMATION

### WARNINGS

**⚠ WARNING:** This product contains and/or generates chemicals known to the State of California to cause cancer or birth defects, or other reproductive harm.

**⚠ WARNING:** FIRE, BURN, INHALATION, AND EXPLOSION HAZARD. KEEP SOLID COMBUSTIBLES, SUCH AS BUILDING MATERIALS, PAPER OR CARDBOARD, A SAFE DISTANCE AWAY FROM THE HEATER AS RECOMMENDED BY THE INSTRUCTIONS. NEVER USE THE HEATER IN SPACES WHICH DO OR MAY CONTAIN VOLATILE OR AIRBORNE COMBUSTIBLES, OR PRODUCTS SUCH AS GASOLINE, SOLVENTS, PAINT THINNER, DUST PARTICLES OR UNKNOWN CHEMICALS.

**⚠ WARNING:** NOT FOR HOME OR RECREATIONAL VEHICLE USE.

The heater is designed for use as a construction heater in accordance with ANSI Z83.7/CGA2.14. Other standards govern the use of fuel gases and heating products for specific uses. Your local authority can advise you about these. The primary purpose of construction heaters is to provide temporary heating of buildings under construction, alteration or repair. Properly used, the heater provides safe economical heating. Products of combustion are vented into the area being heated.

We cannot foresee every use which may be made of our heaters. Check with your local fire safety authority if you have questions about heater use.

Other standards govern the use of fuel gases and heat producing products for specific uses. Your local authorities can advise you about these.

**Carbon Monoxide Poisoning:** Some people are more affected by carbon monoxide than others. Early signs of carbon monoxide poisoning resemble the flu, with headaches, dizziness, and/or nausea. If you have these signs, the heater may not be working properly. Get fresh air at once! Check for proper ventilation and have heater serviced.

**Propane Gas:** Propane gas is odorless. An odor-making agent is added to propane gas. The odor helps you detect a propane gas leak. However, the odor added to propane gas can fade. Propane gas may be present even though no odor exists.

Make certain you read and understand all warnings. Keep this manual for reference. It is your guide to safe and proper operation of this heater.

- Install and use heater with care. Follow all local ordinances and codes. In the absence of local ordinances and codes, refer to the Standard for Storage and Handling of Liquefied Petroleum Gas, ANSI/NFPA 58 and the Propane Gas Installation Code, CAN/CGA B149.2. This instructs on the safe storage and handling of propane gases.
- Use only the electrical voltage and frequency specified on model plate. The electrical connections and grounding of the heater shall follow the National Electric Code, ANSI/NFPA 70 or the Canadian Electrical Code, Part 1.
- Electrical grounding instructions — This appliance is equipped with a three-prong (grounding) plug for your protection against shock hazard and should be plugged directly into a properly grounded three-prong receptacle or extension cord.
- This product has been approved for use in the Commonwealth of Massachusetts.
- Use only a three-prong, grounded extension cord.
- Use only the hose and factory preset regulator provided with the heater.
- Use only propane gas set up for vapor withdrawal.
- Provide adequate ventilation. Before using heater, provide at least a one-square-foot opening of fresh, outside air.
- For indoor use only. Do not use heater outdoors.
- Do not use heater in occupied dwellings or in living or sleeping quarters.
- Do not use heater in basement or below ground level. Propane gas is heavier than air. If a leak occurs, propane gas will sink to the lowest possible level.
- Keep appliance area clear and free from combustible materials, gasoline, paint thinner, and other flammable vapors and liquids.
- Do not use heater in areas with high dust content. Dust is combustible.
- Minimum heater clearances from combustibles:  
Outlet: 6 Ft. Sides: 2 Ft. Top: 6 Ft. Rear: 2 Ft.
- Keep heater at least six feet from propane tank(s). Do not point heater at propane tank(s) within 20 feet.
- Keep propane tank(s) below 100° F.
- Check heater for damage before each use. Do not use a damaged heater.
- Check hose before each use of heater. If highly worn or cut, replace with hose specified by manufacturer before using heater.
- Locate heater on stable and level surface if heater is hot or operating.
- Not intended for use on finished floors.
- Never block air inlet (rear) or air outlet (front) of heater.

## SAFETY INFORMATION

### Continued

- Keep heater away from strong drafts, water spray, rain, or dripping water.
- Do not leave heater unattended.
- Keep children and animals away from heater.
- Never move, handle, or service a hot, operating, or plugged-in heater. Severe burns may result. You must wait 15 minutes after turning heater off.
- To prevent injury, wear gloves when handling heater.
- Never attach duct work to front or rear of heater.
- Do not alter heater. Keep heater in its original state.
- Do not use heater if altered.
- Turn off propane supply and unplug heater when not in use.
- Use only original replacement parts. This heater must use design-specific parts. Do not substitute or use generic parts. Improper replacement parts could cause serious or fatal injuries.

## PRODUCT IDENTIFICATION

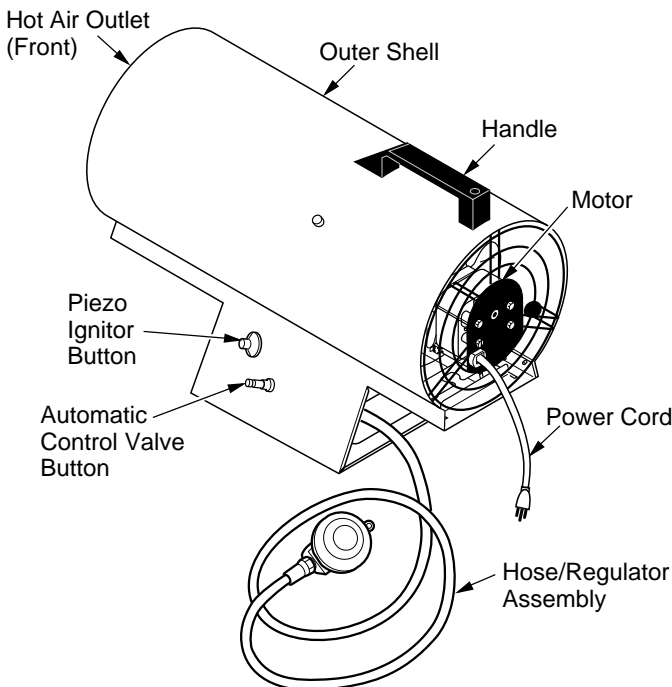


Figure 1 - 30,000 BTU/Hr Model

## UNPACKING

1. Remove all packing items applied to heater for shipment. Keep plastic cover caps (attached to inlet connector and hose/regulator assembly) for storage.
2. Remove all items from carton.
3. Check all items for shipping damage. If heater is damaged, promptly inform dealer where you bought heater.

## FUNDAMENTALS OF OPERATION

**The Fuel System:** The hose/regulator assembly attaches to the propane gas supply. This provides fuel to the heater.

**The Air System:** The motor turns the fan. The fan pushes air into and around the combustion chamber. This air is heated and provides a stream of clean, hot air.

**The Ignition System:** The piezo ignitor lights the burner.

**The Automatic Control System:** This system causes the heater to shut down if the flame goes out.

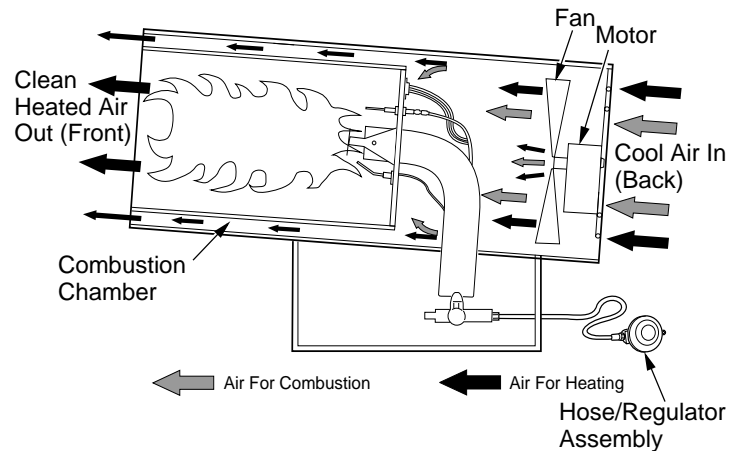


Figure 2 - Cross Section Operational View

## ASSEMBLY

1. Remove screw from top of fan guard. Discard screw.
2. Insert nut clip (provided with handle) with flat side facing up through slot in top of shell. Align holes in nut clip with screw hole behind slot in top of shell. (see Figure 4).
3. Place handle over hole and clip. Insert two screws (provided with handle) through handle and tighten into shell. Make sure rear screw goes through shell and into fan guard. Tighten screws firmly.

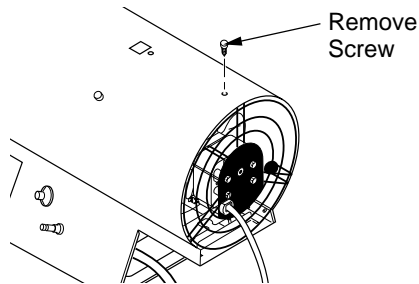


Figure 3 - Removing Screw from Top of Fan Guard

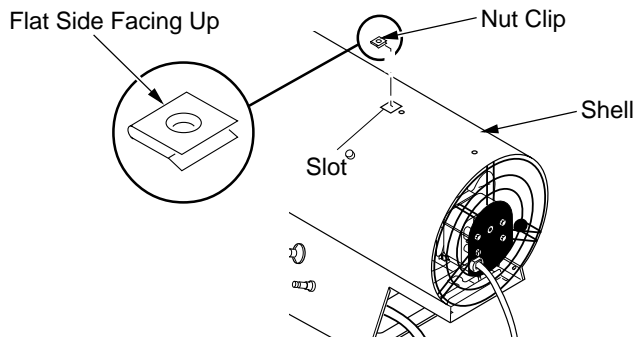


Figure 4 - Installing Nut Clip

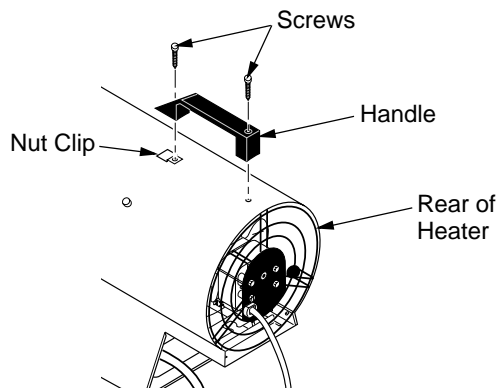


Figure 5 - Attaching Handle

## PROPANE SUPPLY

Propane gas and propane tank(s) are to be furnished by the user.

Use this heater only with a propane vapor withdrawal supply system. See Chapter 5 of the *Standard for Storage and Handling of Liquefied Petroleum Gas, ANSI/NFPA 58 and/or CAN/CGA B149.2*. Your local library or fire department will have this booklet.

The amount of propane gas ready for use from propane tanks varies. Two factors decide this amount:

1. The amount of propane gas in tank(s)
2. The temperature of tank(s)

This heater is designed to operate with a minimum 20-pound propane tank. You may need two or more tanks or one larger tank in colder weather. Use a 100-pound tank for longer operation or in very cold weather. Less gas is vaporized at lower temperatures. Your local propane gas dealer will help you select the proper supply system. The minimum surrounding air temperature rating for each heater is -20°F (-29°C).

Average Temp (°F) At Tank Location	No. Of Tanks (100-pound)
40°	1
32°	1
20°	1
10°	1
0°	1
-10°	2
-20°	2

## INSTALLATION

**⚠ WARNING:** Review and understand the warnings in the *Safety Information* section, page 2. They are needed to safely operate this heater. Follow all local codes when using this heater.

**⚠ WARNING:** Test all gas piping and connections for leaks after installation or servicing. Never use an open flame to check for a leak. Apply a mixture of liquid soap and water to all joints. Bubbles forming show a leak. Correct all leaks at once.

1. Provide propane supply system (see *Propane Supply*).
2. Connect POL fitting on hose/regulator assembly to propane tank(s). Turn POL fitting counterclockwise into threads on tank. Tighten firmly using wrench. **IMPORTANT:** Position regulator so that hose leaving the regulator is in a horizontal position (see Figure 6, page 5). This places the regulator vent in the proper position to protect it from the weather.

## INSTALLATION

### Continued

- Connect hose to valve inlet (see Figure 7). Tighten firmly using a wrench.

**IMPORTANT:** Use extra hose or piping if needed. Install extra hose or piping between hose/regulator assembly and propane tank. You must use the regulator supplied with heater.

- Open propane supply valve on propane tank(s) slowly. Note: If not opened slowly, excess-flow check valve on propane tank will stop gas flow. You may hear a click from the excess-flow check valve closing. If this happens, reset the excess-flow check valve by closing propane supply valve and open again slowly.
- Check all connections for leaks. Apply mixture of liquid soap and water to gas joints. Bubbles forming show a leak that must be corrected.
- Close propane supply valve.

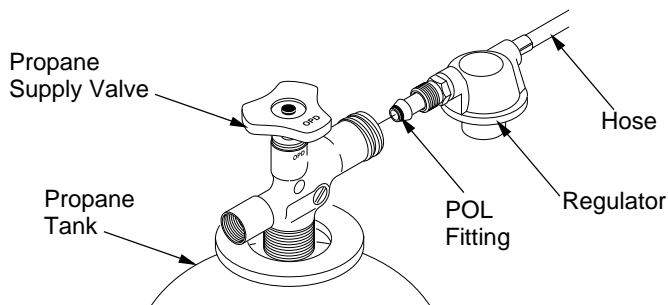


Figure 6 - Regulator Position

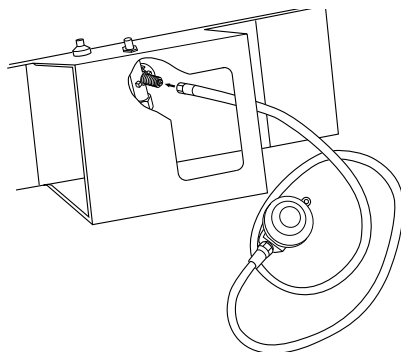


Figure 7 - Hose and Inlet Connector

## VENTILATION

**WARNING:** Provide at least a one square foot opening of fresh, outside air while running heater. If proper fresh, outside air ventilation is not provided, carbon monoxide poisoning can occur. Provide proper fresh, outside air ventilation before running heater.

## OPERATION

**WARNING:** Review and understand the warnings in the *Safety Information* section, page 2. They are needed to safely operate this heater. Follow all local codes when using this heater.

### TO START HEATER

- Follow all installation, ventilation, and safety information.
- Locate heater on stable and level surface. Make sure strong drafts do not blow into front or rear of heater.
- Plug power cord of heater into a three-prong, grounded extension cord. Extension cord must be at least six feet long. Extension cord must be UL listed.

#### Extension Cord Wire Size Requirements

- Up to 50 ft long, use 18 AWG rated cord.
  - 51 to 100 ft long, use 16 AWG rated cord.
  - 101 to 200 ft long, use 14 AWG rated cord.
- Plug extension cord into a 120 volt/60 hertz, 3-hole, grounded outlet. Motor will start. Fan will turn, forcing air out front of heater.
  - Open propane supply valve on propane tank(s) slowly. Note: If not opened slowly, excess-flow check valve on propane tank will stop gas flow. You may hear a click from the excess-flow check valve closing. If this happens, reset the excess-flow check valve by closing propane supply valve and open again slowly.

**WARNING:** Be sure motor and fan are running before pushing in automatic control valve button. Flames could flash outside heater if motor and fan are not running.

- Push in and hold automatic control valve button (see Figure 8). Push piezo ignitor button (see Figure 8). Keep pushing ignitor button until the burner lights. When burner lights, keep automatic control valve button pushed in. Release button after 30 seconds. This activates the automatic control system.

**Note:** If heater fails to ignite, hose may have air in it. If so, keep automatic control valve button pressed and wait 20 seconds. Release automatic control valve button and wait 20 seconds for unburned fuel to exit heater. Repeat this step.

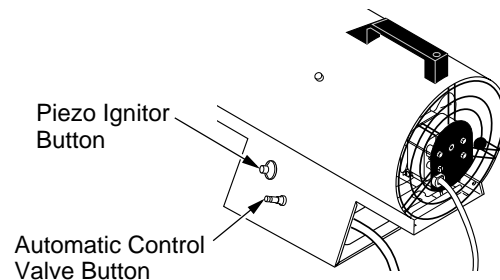


Figure 8 - Automatic Control Valve Button and Piezo Ignitor Button

## OPERATION

### Continued

**NOTICE:** If heater is unplugged or power outage occurs while heater is running, the thermal limit device will stop fuel flow. A few seconds occur before the thermal limit device activates. During this short time, flames may appear outside the heater. This is normal. The flames will go out when thermal limit device activates.

### TO STOP HEATER

1. Tightly close propane supply valve on propane tank(s).
2. Wait a few seconds. Heater will burn gas left in supply hose.
3. Unplug heater.

### TO RESTART HEATER

1. Wait five minutes after stopping heater.
2. Repeat steps under *To Start Heater*, page 5.

## STORAGE

**CAUTION:** Disconnect heater from propane supply tank(s).

1. Store propane tank(s) in safe manner. See Chapter 5 of *Standard for Storage and Handling of Liquefied Petroleum Gases, ANSI/NFPA 58*. Follow all local codes. Always store propane tanks outdoors.
2. Place plastic cover caps over brass fittings on inlet connector and hose/regulator assembly.
3. Store in dry, clean, and safe place. Do not store hose/regulator assembly inside heater combustion chamber.
4. When taking heater out of storage, always check inside of heater. Insects and small animals may place foreign objects in heater. Remove motor and other internal parts if needed to remove foreign objects (see *Service Procedures*, page 8).

## MAINTENANCE

### WARNINGS

- Never service heater while it is plugged in, connected to propane supply, operating, or hot. Severe burns and electrical shock can occur.
- Keep heater clear and free from combustible materials, gasoline, and other flammable vapors and liquids.
- Do not block the flow of combustion or ventilation air.

1. Keep heater clean. Clean heater annually or as needed to remove dust and debris. If heater is dirty or dusty, clean heater with a damp cloth. Use household cleaners on difficult spots.
2. Inspect heater before each use. Check connections for leaks. Apply mixture of liquid soap and water to connections. Bubbles forming show a leak. Correct all leaks at once.
3. Inspect hose/regulator assembly before each use. If hose is highly worn or cut, replace with hose specified by manufacturer.
4. Have heater inspected yearly by a qualified service agency.
5. Keep inside of heater free from combustible and foreign objects. Remove motor and other internal parts if needed to clean inside of heater (see *Service Procedures*, page 8).
6. Clean fan blades each season or as needed (see *Fan*, page 9).

## SPECIFICATIONS

Output Rating (BTU/Hr)	30,000
Fuel	Propane Vapor Only
Fuel Consumption	
Gallons/Hour	.33
Pounds/Hour	1.4
Supply Pressure To Regulator	
Minimum (for purposes of input adjustment)	20 psi
Maximum	Tank Pressure or 200 psi
Regulator Outlet Pressure	10 PSI
Manifold Pressure	10.1 PSI
Hot Air Output (CFM Approx)	175
Motor	3045 RPM, 1/40 HP
Electric Input	120 volt/60 hertz
Amperage	.6
Ignition	Manual, Piezo
Temperature Range for Heater Operation	-20° F to 85° F*
Weight (Pounds)	
Heater	11
Shipping	13
Size - L x W x H (Inches)	
Carton	19.4 x 9.75 x 14.75
Heater	18.5 x 7.7 x 12.8

\* When running heater in temperatures above 85° F, high internal temperatures may cause thermal limit device to shut down heater.

## TROUBLESHOOTING

*Note:* For additional help, visit DESA Heating Products' Technical Service web site at [www.desatech.com](http://www.desatech.com).

**⚠ WARNING: Never service heater while it is plugged in, connected to propane supply, operating, or hot. Severe burns and electrical shock can occur.**

OBSERVED FAULT	POSSIBLE CAUSE	REMEDY
Fan does not turn when heater is plugged in.	<ol style="list-style-type: none"> <li>No electrical power to heater</li> <li>Fan hitting inside of heater shell</li> <li>Fan blades bent</li> <li>Defective motor</li> </ol>	<ol style="list-style-type: none"> <li>Check voltage to electrical outlet. If voltage is good, check heater power cord for breaks</li> <li>Adjust motor/fan guard to keep fan from hitting inside of heater shell. Bend fan guard if necessary</li> <li>Replace fan. See <i>Fan</i>, pages 8 and 9</li> <li>Replace motor. See <i>Motor</i>, page 8</li> </ol>
Heater will not ignite.	<ol style="list-style-type: none"> <li>User did not follow installation or operation instructions properly</li> <li>No spark at ignitor. To test for spark, follow step 8 under <i>Ignitor</i>, page 9. If you see spark at ignitor, have heater serviced by qualified service person. If no spark seen: <ol style="list-style-type: none"> <li>Loose or disconnected ignitor wire</li> <li>Wrong spark gap</li> <li>Piezo ignitor loose</li> <li>Bad ignitor electrode</li> </ol> </li> </ol>	<ol style="list-style-type: none"> <li>Repeat installation and operation instructions. See <i>Installation</i>, page 4 and <i>Operation</i>, page 5</li> <li> <ol style="list-style-type: none"> <li>Check ignitor wire. Tighten or reattach loose ignitor wire. See Figure 14, page 10 for ignitor wire location</li> <li>Set gap between ignitor electrode and target plate to .17"</li> <li>Tighten nut holding piezo ignitor to base of heater</li> <li>Replace ignitor electrode. See <i>Ignitor</i>, page 9</li> </ol> </li> </ol>
Heater shuts down while running.	<ol style="list-style-type: none"> <li>High surrounding air temperature causing thermal limit device to shut down heater</li> <li>Restricted air flow</li> <li>Damaged fan</li> <li>Excessive dust or debris in surrounding area</li> </ol>	<ol style="list-style-type: none"> <li>This can happen when running heater in temperatures above 85°F. Run heater in cooler temperatures</li> <li>Check heater inlet and outlet. Remove any obstructions</li> <li>Replace fan. See <i>Fan</i>, pages 8 and 9</li> <li>Clean heater. See <i>Maintenance</i>, page 6</li> </ol>

**⚠ WARNING: Use only in areas free of high dust content.**

## SERVICE PROCEDURES

**⚠ WARNING: Never service heater while it is plugged in, connected to propane supply, operating, or hot. Severe burns and electrical shock can occur.**

### ELECTRICAL SYSTEM

The entire electrical system for this heater is contained within the motor. If any part of the electrical system is damaged, you must replace motor.

### MOTOR

1. Remove three screws that attach fan guard to heater shell.
2. Remove motor and fan guard from heater shell (see Figure 9).
3. Use hex wrench to loosen set screw which holds fan to motor shaft (see Figure 10). Remove fan. Be careful not to damage the fan blade pitch.
4. Remove two nuts and two screws that attach fan guard to motor using nut-driver. Remove fan guard from motor (see Figure 11).
5. Disconnect the green power cord wire from motor and remove black and white wire terminals.
6. Discard old motor.
7. Attach green power cord wire to motor.
8. Attach fan guard to new motor with two nuts and two screws.
9. Replace black and white terminals.
10. Place fan onto motor shaft of new motor. Make sure set screw contacts flat surface on motor shaft. Tighten set screw firmly (40-50 inch-pounds).
11. Place motor and fan guard into rear of heater shell. Make sure power cord is properly located (see Figure 12).
12. Insert three screws through heater shell and into fan guard. Tighten screws firmly.

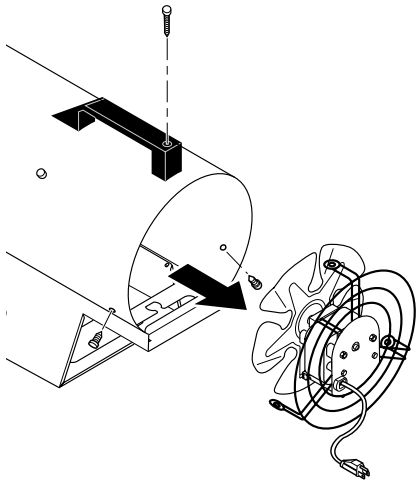


Figure 9 - Removing Motor and Fan Guard from Heater

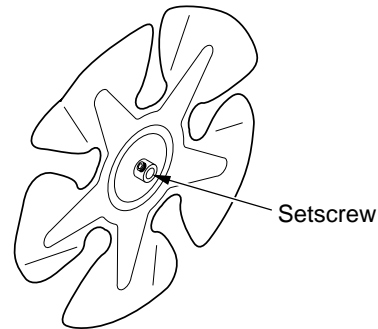


Figure 10 - Setscrew Location

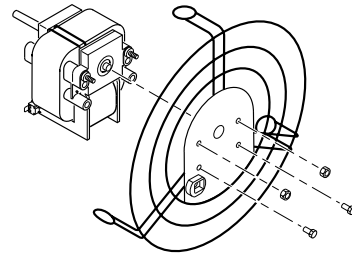


Figure 11 - Removing or Attaching Fan Guard from Motor

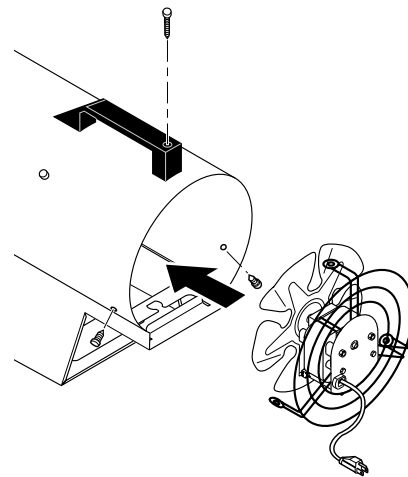


Figure 12 - Replacing Motor and Fan Guard into Heater

### FAN

1. Remove three screws that attach fan guard to heater shell.
2. Remove motor and fan guard from heater shell (see Figure 9).
3. Use hex wrench to loosen set screw that holds fan to motor shaft (see Figure 10).
4. Remove fan. Be careful not to damage the fan blade pitch.

## SERVICE PROCEDURES

### Continued

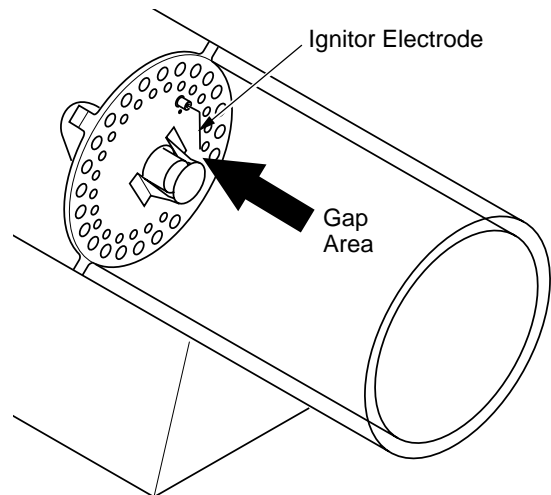
- 5a. If replacing fan, remove old fan and discard. Go to step 7 below.
- 5b. If cleaning fan, use soft cloth moistened with kerosene or solvent.
6. Dry fan thoroughly.
7. Place fan onto motor shaft. Make sure set screw contacts flat surface on motor shaft. Tighten set screw firmly (40-50 inch-pounds).
8. Place motor and fan guard into rear of heater shell. Make sure power cord is properly located (see Figure 12, page 8).
9. Insert three screws through heater shell and into fan guard. Tighten screws firmly.

### IGNITOR

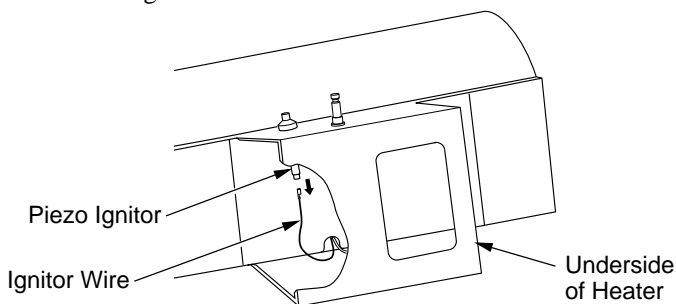
1. Remove motor and fan guard from heater (see *Motor*, page 8, steps 1 and 2).
  2. Remove black ignitor wire from piezo ignitor. Access ignitor wire through underside of heater base (see Figure 13). Push wire up through notch in filler panel.
  3. Remove ignitor mounting screw from rear head using nut-driver or standard screwdriver (see Figure 14).
  4. Remove ignitor from rear head.
  5. Install new ignitor. Attach ignitor to rear head with ignitor mounting screw.
6. Run ignitor wire from new ignitor through notch in filler panel. Attach ignitor wire to piezo ignitor.
  7. Set gap between ignitor electrode and target plate to .17" (see Figure 15).

**⚠ WARNING: Make sure heater is disconnected from propane supply. Heater could ignite causing severe burns.**

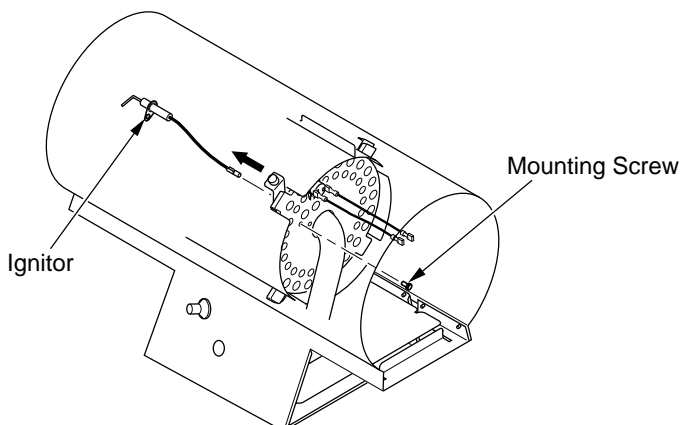
8. Test for spark. Push piezo ignitor button and watch for spark between ignitor electrode and target plate.
9. Place motor and fan guard into rear of heater shell (see *Motor*, page 8, steps 9 and 10).



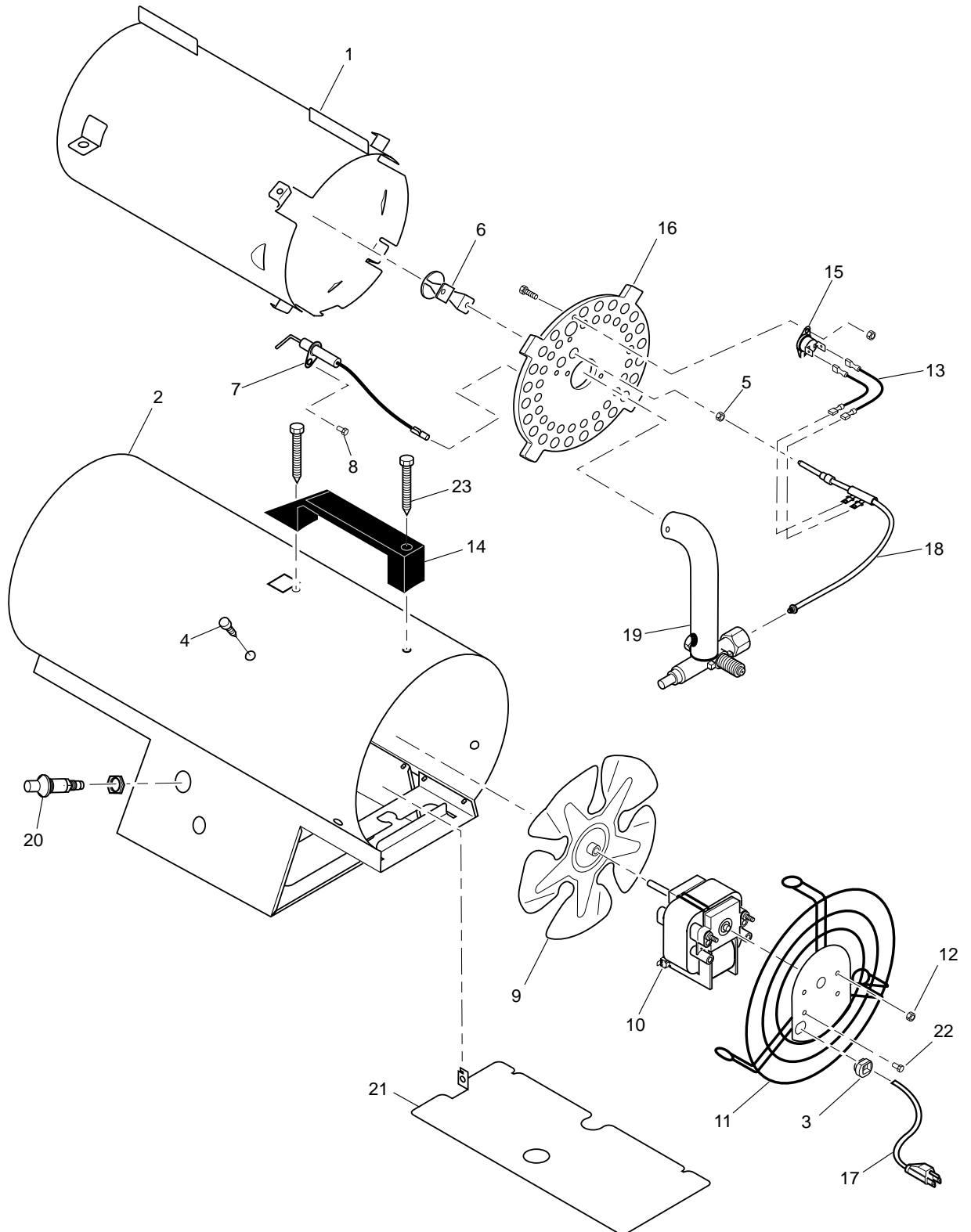
**Figure 15 - Clearance between Ignitor Electrode and Target Plate**



**Figure 13 - Removing Ignitor Wire from Piezo Ignitor**



**Figure 14 - Removing Ignitor Mounting Screw and Ignitor**

**ILLUSTRATED PARTS  
BREAKDOWN**MODELS  
BLP30 AND  
REM30LP

## PARTS LIST

### MODELS

### BLP30 AND REM30LP

This list contains replaceable parts used in your heater. When ordering parts, follow the instructions listed under *Replacement Parts* on page 12 of this manual.

KEY NO.	PART NUMBER	DESCRIPTION	QTY.
1	**	Combustion Chamber	1
2	**	Unichassis (BLP30)	1
	**	Unichassis (REM30LP)	1
3	M11143-1	Bushing, Strain Relief	1
4	M11084-27	Screw	5
5	099237-01	Thermocouple Nut	2
6	103894-01	Target Bracket Kit	1
7	104784-01	Electrode Ignitor	1
8	M11084-38	Hex Tap Screw, #8-18 x 3/8"	1
9	101478-02	Fan	1
10	104156-01	Motor Assembly	1
11	103863-01	Fan Guard	1
12	097384-02	Captive Washer Nut	2
13	101480-12	Wire Assembly	1
14	104786-01	Handle Assembly	1
15	101732-05	Thermal Switch Kit	1
16	103895-01	Rear Head Kit	1
17	098219-17	Cord, Power Supply	1
18	104146-02	Thermocouple	1
19	104144-01	Valve/Orifice/Burner Tube Assembly	1
20	102445-01	Piezo Ignitor Kit	1
21	**	Filler Panel	1
22	M12461-14	Hex Screw, 8-32 x 3/8	4
23	097403-01	Screw, Phillips Head #10x1.25	2
<b>PARTS AVAILABLE - NOT SHOWN</b>			
	097650-01	Tradename Decal (BLP30)	2
	110789-01	Tradename Decal (REM30LP)	2
	104161-06	General Information Decal	1
	104160-01	Operation Decal	1
	111632-01	Model Data Decal	1
	LPA3120	Hose/Regulator Assembly	1

\*\* Not a field replaceable part.

## ACCESSORIES

Purchase accessories and parts from your nearest dealer or service center. If they can not supply an accessory or part, either contact your nearest Parts Central (listed in the separate Authorized Service Center booklet) or contact DESA Heating Products for referral information.

### DESA Heating Products

P.O. Box 90004  
Bowling Green, KY  
42102-9004  
1-866-672-6040

Part Number	Description
LPA1020	<b>10' Rubber Hose with Brass Fitting</b> U.L. listed.
LPA2170	<b>Propane Gas Regulator</b> U.L. listed.
LPA4020	<b>Fuel Gas Connector</b> Connects regulator to all standard propane tanks. U.L. and A.G.A. listed.

## TECHNICAL SERVICE

You may have further questions about this heater. If so, contact DESA Heating Products' Technical Service Department at 1-866-672-6040. When calling, please have your model and serial numbers of your heater ready.

You can also visit DESA Heating Products' Technical Service web site at [www.desatech.com](http://www.desatech.com).

## REPLACEMENT PARTS

**⚠ WARNING: Use only original replacement parts. This heater must use design-specific parts. Do not substitute or use generic parts. Improper replacement parts could cause serious or fatal injuries. This will also protect your warranty coverage for parts replaced under warranty.**

### Parts Under Warranty

Contact authorized dealers of this product. If they can't supply original replacement part(s), either contact your nearest Parts Central or call DESA Heating Products' Technical Service Department at 1-866-672-6040.

When calling DESA Heating Products, have ready

- your name
- your address
- model number of your heater
- how heater was malfunctioning
- purchase date

### Parts Not Under Warranty

Contact authorized dealers of this product. If they can't supply original replacement part(s), either contact your nearest Parts Central (listed in Authorized Service Center booklet) or call DESA Heating Products at 1-866-672-6040 for referral information.

When calling DESA Heating Products, have ready

- model number of your heater
- the replacement part number

# OWNER'S REGISTRATION FORM

Complete registration form and mail or complete on-line registration at [www.desatech.com](http://www.desatech.com) within 30 days after purchase.

Brand: \_\_\_\_\_ (Reddy Heater, Master, Remington, etc.)  
 Model: \_\_\_\_\_ (R60, HD15, etc.)  
 Date Purchased: \_\_\_\_\_ Note: Keep receipt for warranty verification.  
 Serial Number: \_\_\_\_\_ 7 or 9 digit number located on product or identification tag.  
 First Name: \_\_\_\_\_ Last Name: \_\_\_\_\_  
 Address: \_\_\_\_\_  
 City: \_\_\_\_\_ State: \_\_\_\_\_ Zip: \_\_\_\_\_ Country: \_\_\_\_\_  
 Phone: (\_\_\_\_) \_\_\_\_\_ - \_\_\_\_\_ E-Mail: \_\_\_\_\_

Please answer the following questions to register your product with DESA Heating Products:

1. Who will heater be used by?  Individual  Business
2. Will you use your heater in more than one location?  Yes  No
3. Where will the product be used? (You may select more than one.)  Workshop  Barn  Residential Construction  
 Commercial Construction  Garage  Factory  Recreation  Warehouse  Utility Shed/Outbuilding  
 Other \_\_\_\_\_ (Specify)
4. Cost of product (excluding sales tax)? \$ \_\_\_\_\_
5. Maintenance/service work will be performed by:  Self  Service Center  Other \_\_\_\_\_
6. If you bought this product yourself, did you plan to purchase this type of product before going into the store?  Yes  No
7. Type of store where product was purchased?  Hardware  Propane Dealer  Natural Gas/Utility Co.  Home Center or Builder's Supply  
 Farm/Ag. Supply  Auto Parts  Warehouse Club  Industrial/Contractor Supply  Rental Store  
 Discount Store  HVAC Dealer  Other \_\_\_\_\_
8. What is your primary source of heat?  Propane (LP Gas)  Natural Gas  Kerosene  Diesel  Electric  Other \_\_\_\_\_
9. What motivated you to buy this product?  Sudden Cold Weather  Replace Older Model  D.I.Y. Home Project  Emergency Back-Up Heat  
 Heater on Sale  Construction Project  Hard to Heat Location  Other \_\_\_\_\_
10. How did you learn about this product brand?  Advertisement  Relative or Friend  Co-Worker  Store Representative  
 Store Display  Previously Owned a Heater  Other \_\_\_\_\_ (Specify)
11. What other brands did you consider?  None  Master  Remington  All-Pro  Dayton  Universal  Mr. Heater  L.B. White Tradesman  
 John Deere  Dyna-Glo  Dura-Heat  Paulin  Coleman  Vogelzang American  Other \_\_\_\_\_
12. Who selected the product?  Male  Female  Both
13. Level of Education of Purchaser:  High School  Vocation/Technical School  Some College  Completed College  Graduate School
14. Age of Purchaser:  Under 20  20 - 29  30 - 39  40 - 49  50 - 59  60 or Over
15. Buyer's total annual household income:  Under \$19,999  \$20,000 to \$34,999  \$35,000 to \$49,999  
 \$50,000 to \$74,999  \$75,000 to \$99,999  \$100,000 and Over
16. What is the population of your area?  Under 10,000  10,000 to 25,000  25,000 to 50,000  50,000 to 100,000  
 100,000 to 250,000  Over 250,000
17. Store where product was purchased:  
 Name: \_\_\_\_\_ City: \_\_\_\_\_ State: \_\_\_\_\_
18. In choosing this product, how important were the following:
 

	Not	Somewhat	Very		Not	Somewhat	Very
Availability	<input type="radio"/>	<input type="radio"/>	<input type="radio"/>	Size	<input type="radio"/>	<input type="radio"/>	<input type="radio"/>
Price	<input type="radio"/>	<input type="radio"/>	<input type="radio"/>	Prior Brand Experience	<input type="radio"/>	<input type="radio"/>	<input type="radio"/>
Brand Name	<input type="radio"/>	<input type="radio"/>	<input type="radio"/>	Built-In Thermostat	<input type="radio"/>	<input type="radio"/>	<input type="radio"/>
Overall Quality	<input type="radio"/>	<input type="radio"/>	<input type="radio"/>	Ease of Operation	<input type="radio"/>	<input type="radio"/>	<input type="radio"/>
Heat Output (Btu/Hr Rating)	<input type="radio"/>	<input type="radio"/>	<input type="radio"/>	Special Features	<input type="radio"/>	<input type="radio"/>	<input type="radio"/>
Variable Heat Output (Btu/Hr)	<input type="radio"/>	<input type="radio"/>	<input type="radio"/>	Salesperson's Recommendation	<input type="radio"/>	<input type="radio"/>	<input type="radio"/>
Made in USA	<input type="radio"/>	<input type="radio"/>	<input type="radio"/>	Friend/Relative's Recommendation	<input type="radio"/>	<input type="radio"/>	<input type="radio"/>
Warranty	<input type="radio"/>	<input type="radio"/>	<input type="radio"/>	Portability	<input type="radio"/>	<input type="radio"/>	<input type="radio"/>
Local Service	<input type="radio"/>	<input type="radio"/>	<input type="radio"/>	Quiet Operation	<input type="radio"/>	<input type="radio"/>	<input type="radio"/>
Value for Price	<input type="radio"/>	<input type="radio"/>	<input type="radio"/>				
19. This question will allow us to better understand the demographic profile of our customers. Which of the following best describes you? (not required)  
 African American  Asian American  Mexican  Puerto Rican  Cuban  Other Hispanic  White  Other \_\_\_\_\_

TAPE

---

---

---

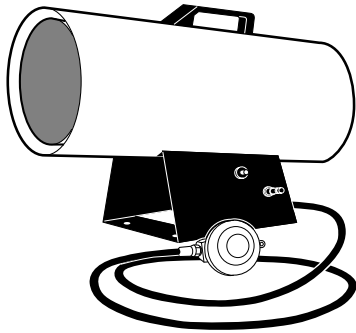
---

Postage  
Required

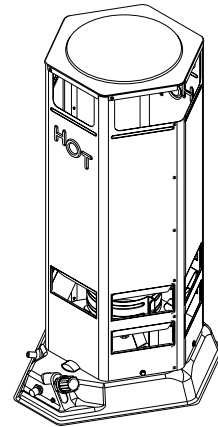
**DESA**<sup>TM</sup>  
**HEATING PRODUCTS**  
2701 Industrial Drive  
P.O. Box 90004  
Bowling Green, KY 42102-9004

TAPE

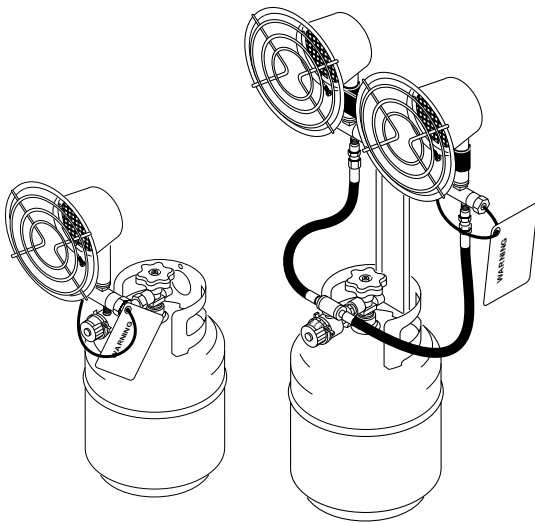
# OTHER OUTDOOR HEATING PRODUCTS



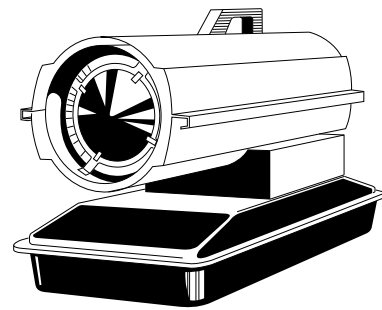
**PROPANE/LP FORCED AIR HEATERS**



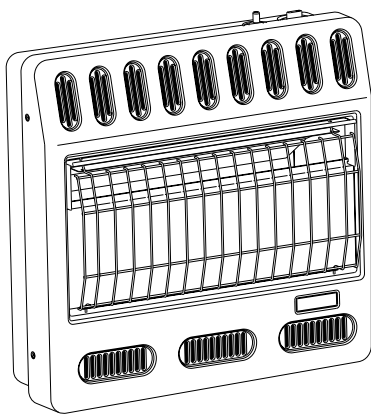
**PROPANE/LP CONVECTION HEATERS**



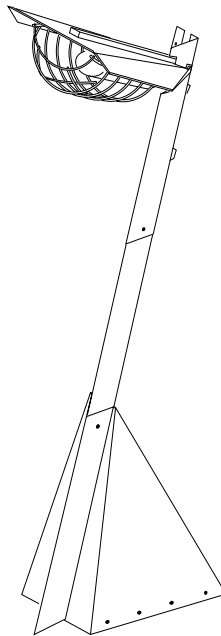
**PROPANE/LP TANK TOP HEATERS**



**PORTABLE KEROSENE/DIESEL FORCED AIR HEATERS**



**PROPANE/LP AND NATURAL GAS GARAGE HEATERS**



**PROPANE/LP PATIO HEATERS**



**PROPANE/LP AND NATURAL GAS CHIMENEAS**

# WARRANTY AND REPAIR SERVICE

## KEEP THIS WARRANTY

Model \_\_\_\_\_

Serial No. \_\_\_\_\_

Date of Purchase \_\_\_\_\_

## LIMITED WARRANTY

DESA Heating Products warrants this product and any parts thereof, to be free from defects in materials and workmanship for one (1) year from the date of first purchase when operated and maintained in accordance with instructions. This warranty is extended only to the original retail purchaser, when proof of purchase is provided.

This warranty covers only the cost of parts and labor required to restore the product to proper operating condition. Transportation and incidental costs associated with warranty repairs are not reimbursable under this warranty.

Warranty service is available only through authorized dealers and service centers.

This warranty does not cover defects resulting from misuse, abuse, negligence, accidents, lack of proper maintenance, normal wear, alteration, modification, tampering, contaminated fuels, repair using improper parts, or repair by anyone other than an authorized dealer or service center. Routine maintenance is the responsibility of the owner.

THIS EXPRESS WARRANTY IS GIVEN IN LIEU OF ANY OTHER WARRANTY EITHER EXPRESSED OR IMPLIED, INCLUDING WARRANTIES OF MERCHANTABILITY AND FITNESS FOR A PARTICULAR PURPOSE.

DESA Heating Products assumes no responsibility for indirect, incidental or consequential damages. Some states do not allow the exclusion or limitation of incidental or consequential damages, or limitations or exclusions may not apply to you. This Limited Warranty gives you specific legal rights and you may also have other rights which vary from state to state.

We reserve the right to amend these specifications at any time without notice. The only warranty applicable is our standard written warranty. We make no other warranty, expressed or implied.

## WARRANTY SERVICE

Should your heater require service, return it to your nearest authorized service center. Proof of purchase must be presented with the heater. The heater will be inspected. A defect may be caused by faulty materials or workmanship. If so, DESA Heating Products will repair or replace the heater without charge.

## REPAIR SERVICE

Return your heater to your nearest authorized service center. Repairs not covered by the warranty will be billed at standard prices. Each Service Center is independently owned and operated. We reserve the right to amend these specifications at any time without notice.

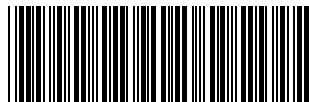
When writing for information regarding your heater, be sure to include the model number and serial number as shown on the model plate.

For more information about this warranty, write:



2701 Industrial Drive  
P.O. Box 90004  
Bowling Green, KY 42102-9004

ATTN: Customer Service Department



104163 01

NOT A UPC

104163-01  
Rev. H  
08/03

For more information, visit [www.desatech.com](http://www.desatech.com)