



FLUORESCENT FLUSH MOUNT FIXTURE ASSEMBLY & INSTALLATION INSTRUCTIONS

Please read carefully and save this instruction sheet, as you may need it at a later date.

CAUTION: Turn off the main power at the circuit breaker before installing the fixture, in order to prevent possible shock.

GENERAL: All electrical connections must be in accordance with local and National Electrical Code (N.E.C.) standards. If you are unfamiliar with proper electrical wiring connections obtain the services of a qualified electrician.

Remove the fixture and the mounting package from the box and make sure that no parts are missing by referencing the illustrations on the installation instructions.

ASSEMBLY AND INSTALLATION

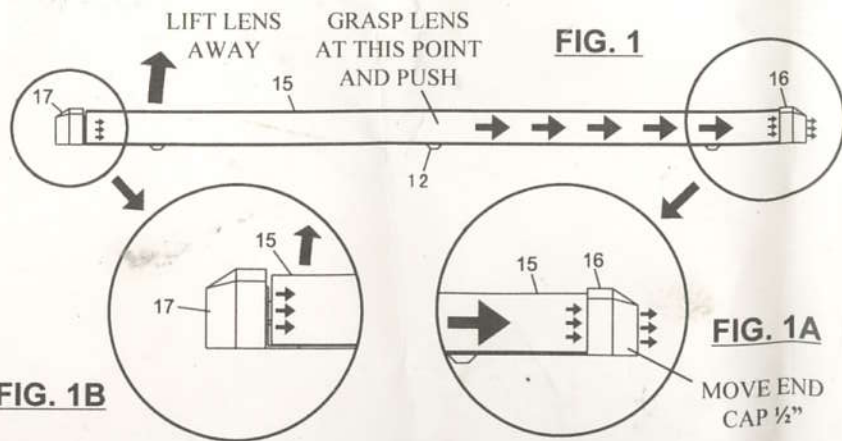
(NOTE: This fixture comes with two end caps, one that is fixed and one that is moveable. Before beginning, identify the MOVEABLE END CAP (16) and the FIXED END CAP (17) by pulling on them to see if they move. The MOVEABLE END CAP (16) is spring-loaded and will return to its original position after it is moved.)

1. Turn off power at the circuit breaker.
2. Detach the LENS (15) from the FIXTURE BODY (12). (FIG. 1)

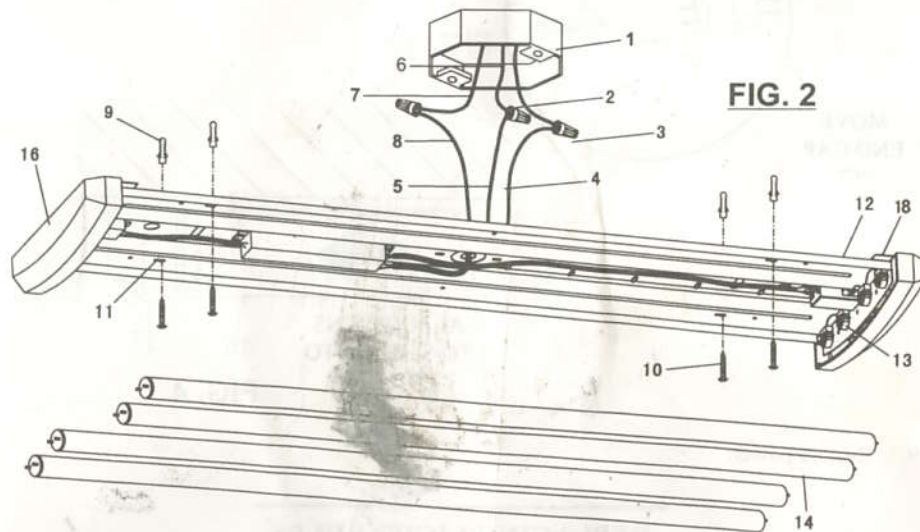
STEP A – Place the fully assembled fixture onto a rug surface or any surface that will provide adequate friction.

STEP B – Using both hands, grasp the sides of the ACRYLIC LENS (15) at the center and push the LENS (15) into the MOVEABLE END CAP (16) to move it about 1/2" (FIG. 1 & 1A) until the LENS (15) clears the FIXED END CAP (17). (FIG. 1B)

STEP C – Lift the LENS (15) up and away from the FIXTURE BODY (12). (FIG. 1 & 1B)



3. Place the FIXTURE BODY (12) onto the desired location, centering it over the OUTLET BOX (1). Mark the location of all the KEYHOLE SLOTS (11). (FIG. 2)
4. Remove the FIXTURE BODY (12) from the ceiling. Drill appropriately sized holes at the marked keyhole locations. Insert the CEILING ANCHORS (9) into the holes. Thread the MOUNTING SCREWS (10) halfway into the CEILING ANCHORS (9). (FIG. 2)
5. Pull all the supply wires from the OUTLET BOX (1). Connect the BLACK FIXTURE WIRE (5) to the BLACK SUPPLY WIRE (6) (+) and the WHITE FIXTURE WIRE (8) to the WHITE SUPPLY WIRE (7) (-), using the provided WIRE NUTS (3). Similarly, connect the FIXTURE GROUND WIRE (4) to the SUPPLY GROUND WIRE (2). (FIG. 2)
6. Carefully tuck all wire connections into the OUTLET BOX (1). Place the FIXTURE BODY (12) onto the desired location, making sure that the halfway threaded MOUNTING SCREWS (10) feed through the large openings of the KEYHOLE SLOTS (11). Slide the FIXTURE BODY (12) so that the MOUNTING SCREWS (10) slide into the narrow slots of the KEYHOLE SLOTS (11). Tighten the MOUNTING SCREWS (10) down to secure the FIXTURE BODY (12) in place. (FIG. 2)
7. Insert FLUORESCENT BULBS (14) (Not included) into the provided LAMP SOCKETS (13). Turn each FLUORESCENT BULB (14) 1/4 turn, until there is a click. Be sure to use the lamp type and wattage specified on the lamp replacement label. (FIG. 2)



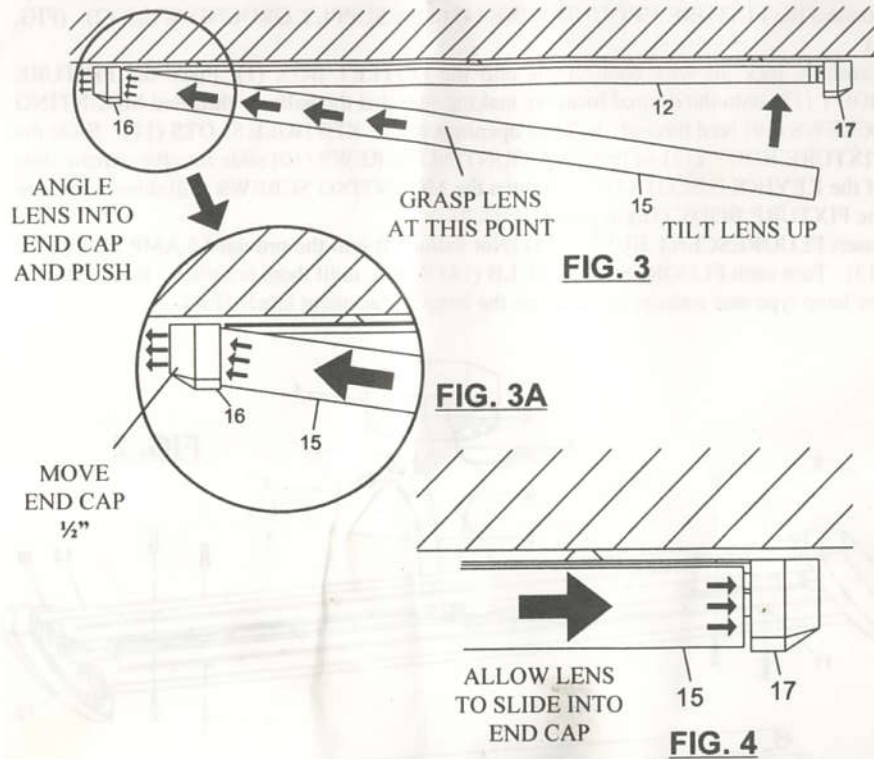
8. Re-attach the LENS (15) to the FIXTURE BODY (12). (FIG. 3)

STEP A - Using both hands, grasp the sides of the LENS (15) at the center and hold it over your head. Angle the LENS (15) into the MOVEABLE END CAP (16) (FIG. 3) using the provided WINGS (18) (shown in FIG. 2) to guide the LENS (15) in.

STEP B - Push the LENS (15) into the MOVEABLE END CAP (16) to move it about 1/2". (FIG. 3A)

STEP C - While applying pressure to the **MOVEABLE END CAP (16)**, tilt the other end of the **LENS (15)** toward the **FIXTURE BODY (12)** (FIG. 3) until it aligns with the **FIXED END CAP (17)** (FIG. 4). If necessary, push the **LENS (15)** harder into the **MOVEABLE END CAP (16)** to allow the **LENS (15)** to clear the **FIXED END CAP (17)**.

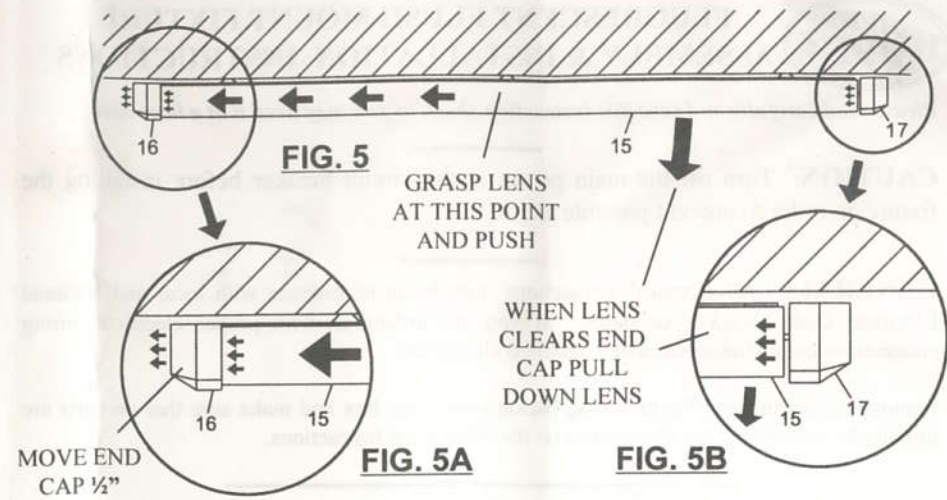
STEP D - Release the pressure on the **MOVEABLE END CAP (16)** and allow the **LENS (15)** to slide into the **FIXED END CAP (17)**. (FIG. 4)



9. Restore power.

REPLACING LIGHT BULBS

1. Turn off power at the wall switch.
2. Detach **LENS (15)** from **FIXTURE BODY (12)**. (FIG. 5)
STEP A - Using both hands, grasp the sides of the **LENS (15)** at the center and push the **LENS (15)** into the **MOVEABLE END CAP (16)** to move it 1/2" (FIG. 5A) until the **LENS (15)** clears the **FIXED END CAP (17)**. (FIG. 5B).
STEP B - Pull down the **LENS (15)** down and away from the **FIXTURE BODY (12)**. (FIG. 1B)



3. Replace the light bulb(s). Be sure to use the lamp type and wattage specified on the lamp replacement label.
4. Replace the **LENS (15)** following the steps in #8 of the "ASSEMBLY AND INSTALLATION" section.
5. Restore power at the switch.

SAVE THESE INSTRUCTIONS



**At Your Nearest Home Depot.
En The Home Depot Más Cercano.**

“As an Energy partner, Hampton Bay has determined that this light fixture meets the Energy Star guidelines for energy efficiency.”

“Como un socio de Energy Star, Hampton Bay a determinado que esta lampara cumple con las reglas de ahorro de Energy Star.”



**Home Depot U.S.A., Inc.
2455 Paces Ferry Rd., N.W. Atlanta. GA 30339**

**MANUFACTURED IN CHINA
FABRICADO EN CHINA**

TWO YEAR LIMITED WARRANTY

Hampton Bay warrants this product to be free from defects in material and workmanship for two year from the original date of purchase by the consumer. This warranty is limited to the counter replacement at the time of purchase, with the original purchase receipt, and does not include the bulb. Hampton Bay will not be liable for the loss or damage of any kind, incidental or consequential damages of any kind, whether based on warranty contract or negligence, and arising in connection with the sale, use or repair of the product claimed to be defective. Some states do not allow the exclusion or limitation of incidental or consequential damages so the above limitation may not apply to you. This warranty gives you specific legal rights and you may also have other rights which vary from state to state. Misuse, accident, improper installation or maintenance will also void the warranty.

GARANTÍA LIMITADA POR DOS AÑOS

Hampton Bay garantiza que este producto está libre de defectos de materiales y mano de obra por dos año a consumidor. Esta garantía está limitada al reemplazo en mostrador en el momento de la compra, con el recibo de compra original y no incluye la bombilla. Hampton Bay no se responsabiliza por la pérdida o el daño de ningún tipo, daños incidentales o indirectos de ningún tipo, ya sea que se base en el contrato de garantía o negligencia y que sea consecuencia de la venta, y el uso o la reparación del producto que se reclama como defectuoso. Algunos estados no permiten la exclusión o limitación de daños incidentales o indirectos por lo que tal vez la limitación anteriormente mencionada no se aplique a usted. Esta garantía le brinda derechos legales específicos y tal vez tenga otros derechos que varían de un estado a otro. El uso indebido, accidente, instalación o mantenimiento indebidos invalidarán también la garantía.

In the event you have received goods with a broken, missing or malfunctioning part, due to shipping or manufacturing, call Hampton Bay's hot line.

En caso de haber recibido bienes con piezas rotas, faltantes o de funcionamiento defectuoso, debido a transporte o fabricación, llame a Hampton Bay al teléfono

1-800-345-0542 Customer Service